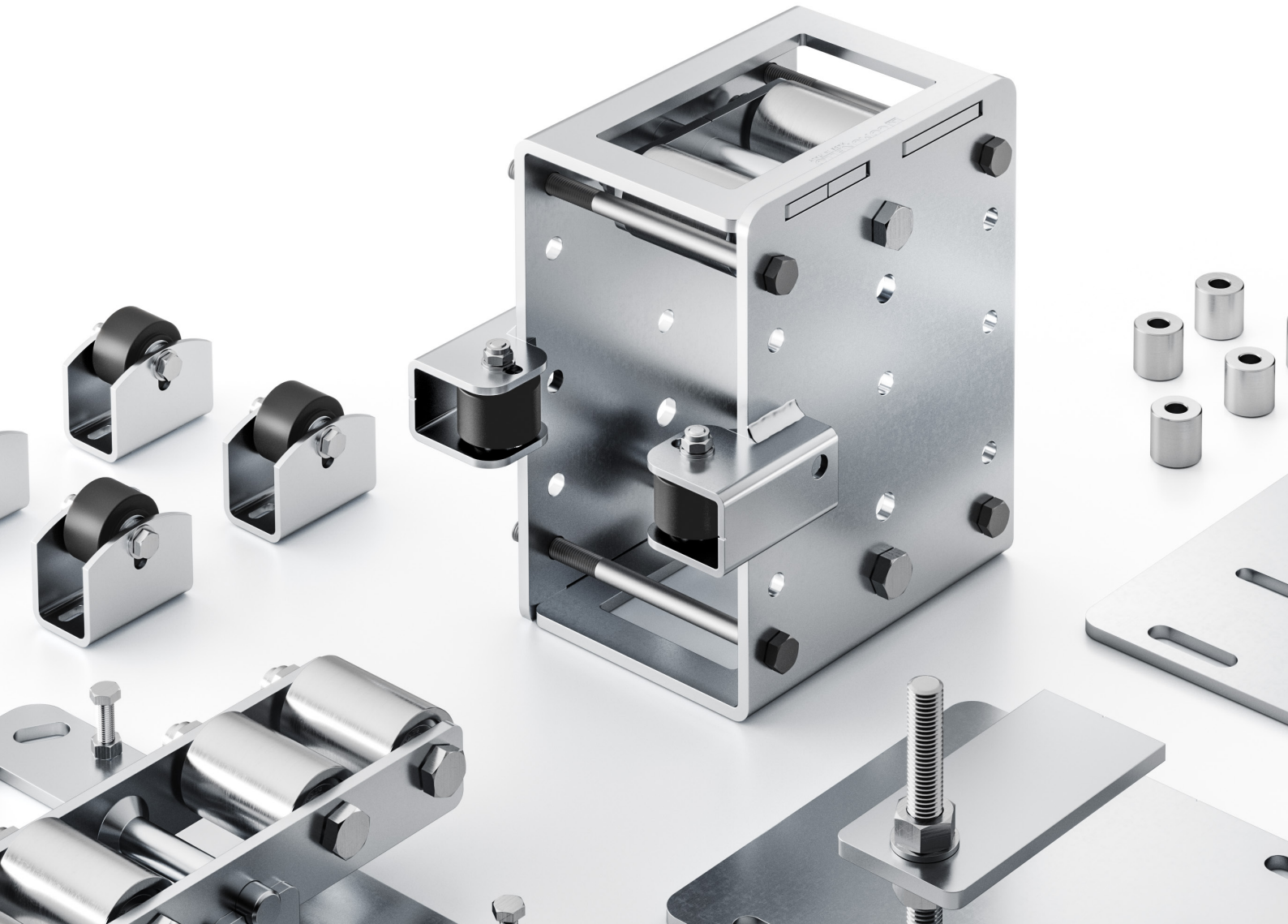


 **COMUNELLO**GATE



The
Backrail
Cantilever System

The **Backrail** Cantilever System



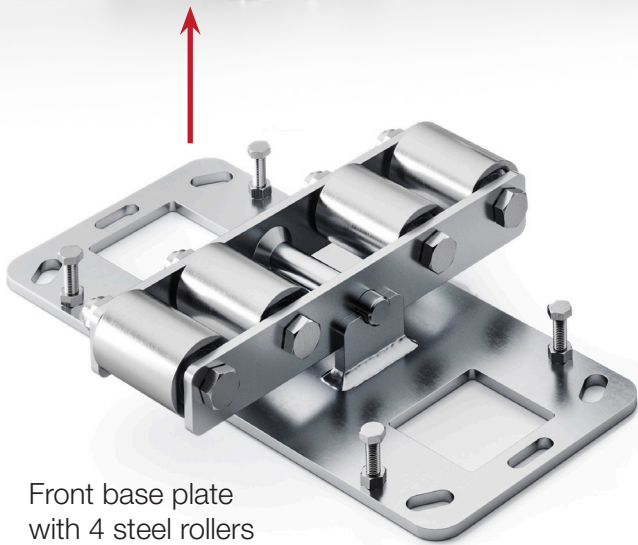
For gate up to 15 meters/1900 kg.



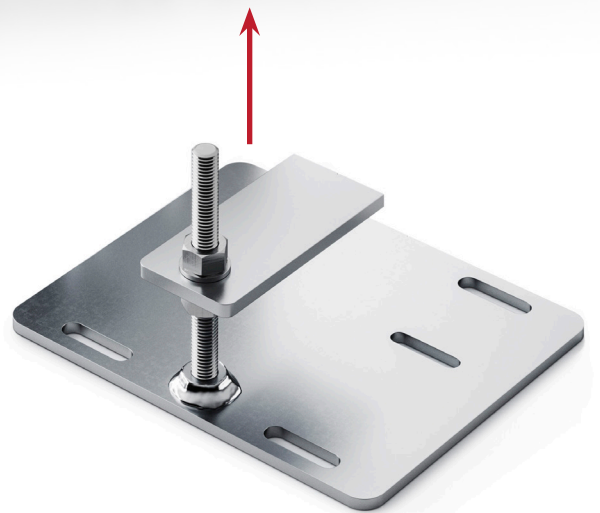
CODE	ART.	Box info	
		Pcs per pack	Kg
10140010 001	BGS-350	1 kit	92.5 Kg



Side support adjustable nylon rollers



Front base plate with 4 steel rollers

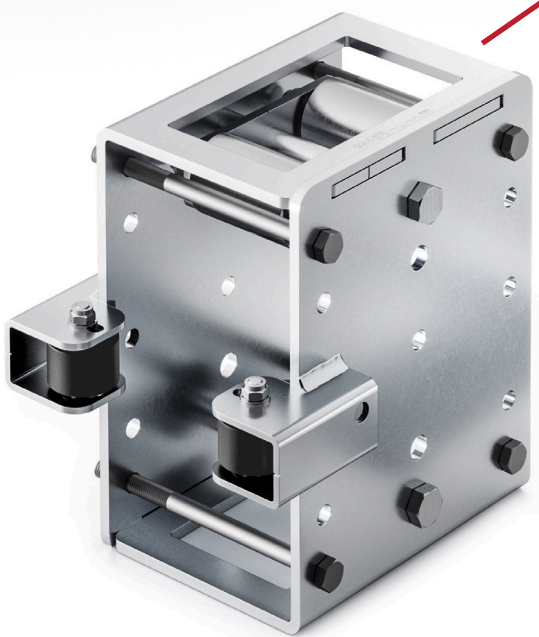
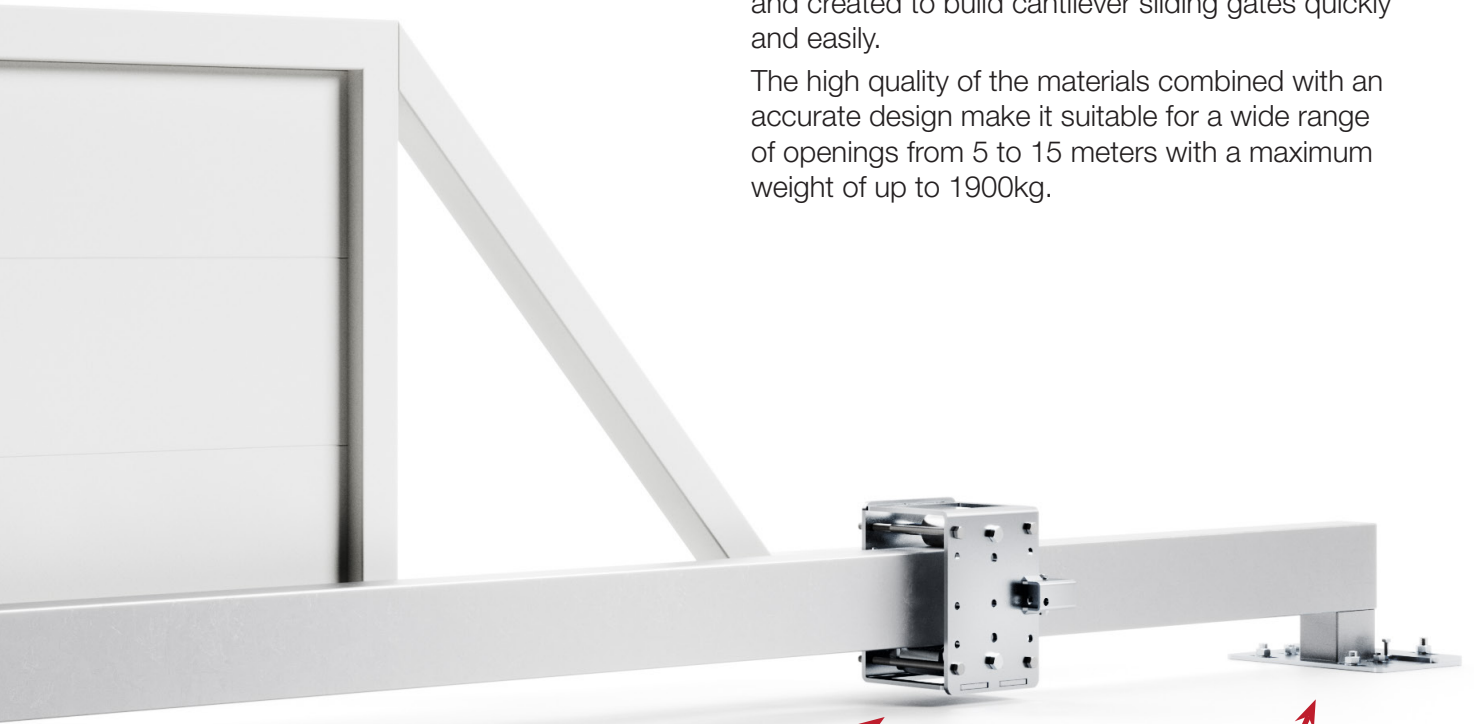


Adjustable front base plate

The **Backrail** Cantilever System

Backrail is a complete kit appropriately designed and created to build cantilever sliding gates quickly and easily.

The high quality of the materials combined with an accurate design make it suitable for a wide range of openings from 5 to 15 meters with a maximum weight of up to 1900kg.



Roller box suitable for 200x100 and 150x100 backrail RHS.



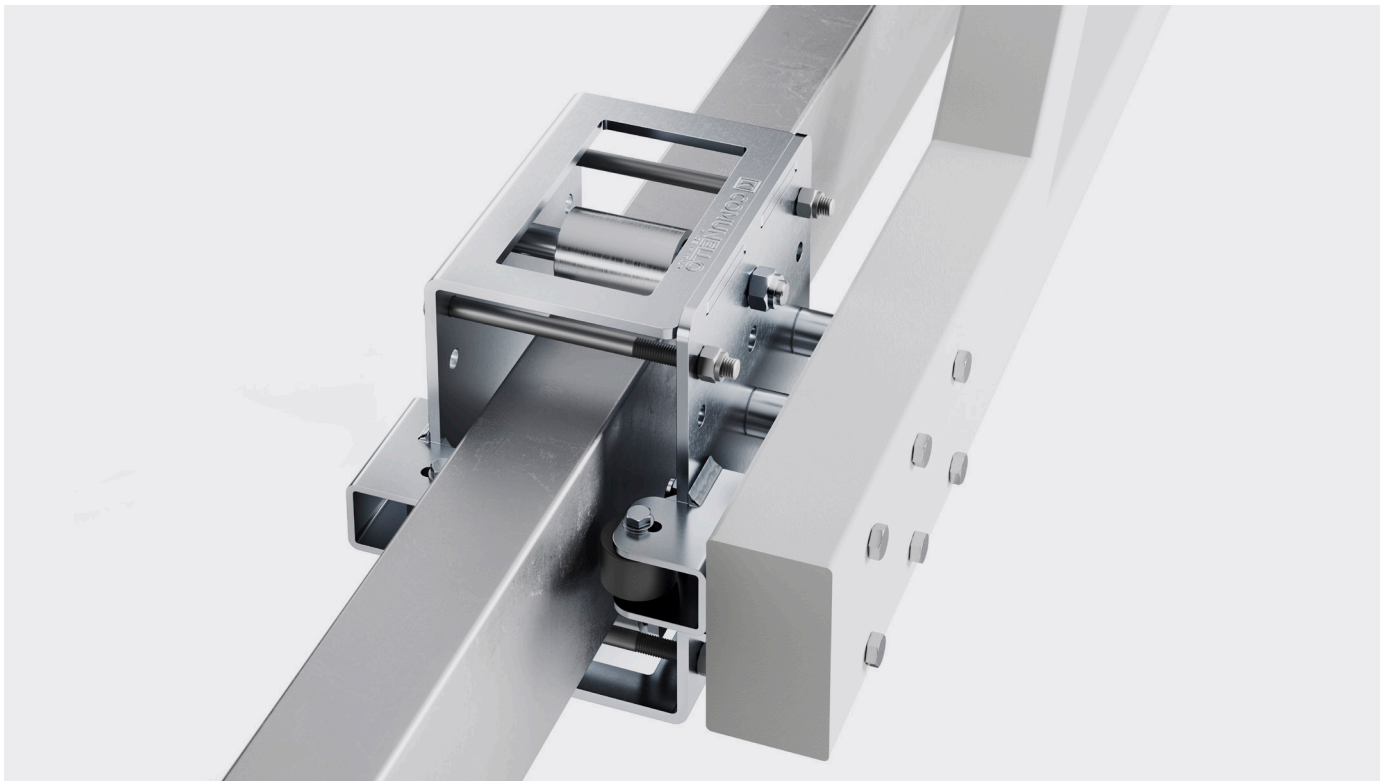
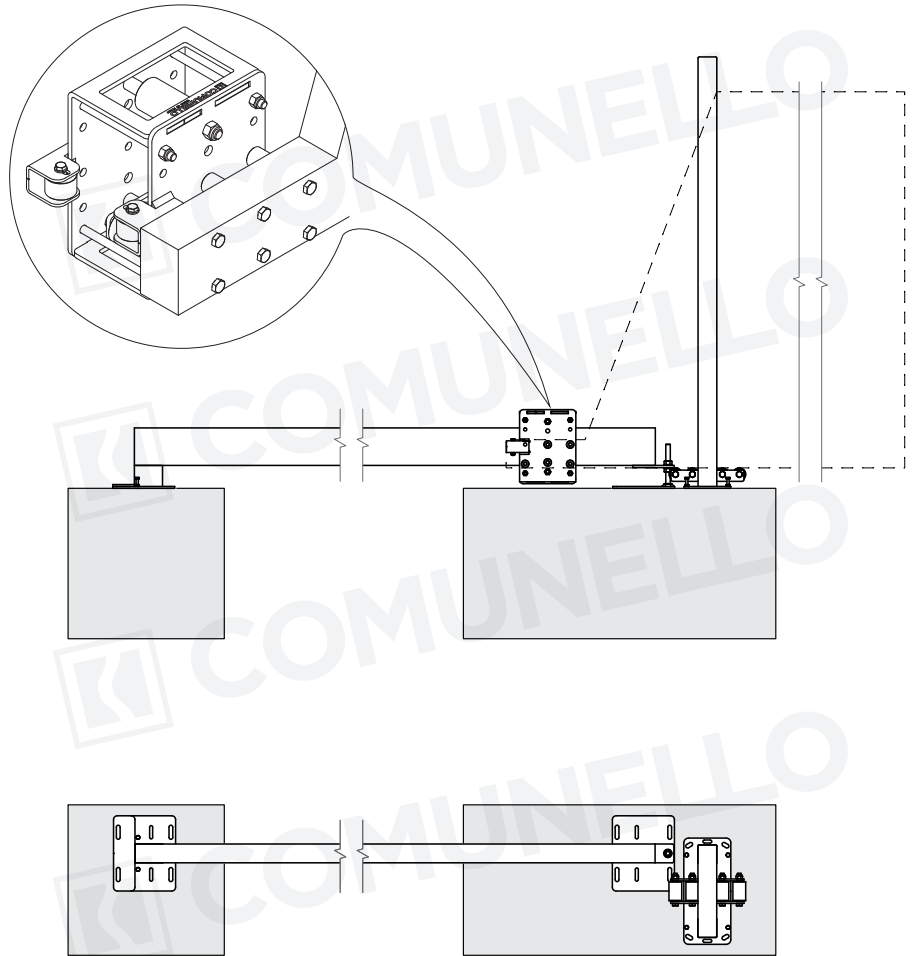
Adjustable rear base plate

The Backrail Cantilever System

Bolt-on installation

Roller box design allows for either weld on or bolt on configurations.

The bolt-on version allows the possibility of replacement without removing on the welds.

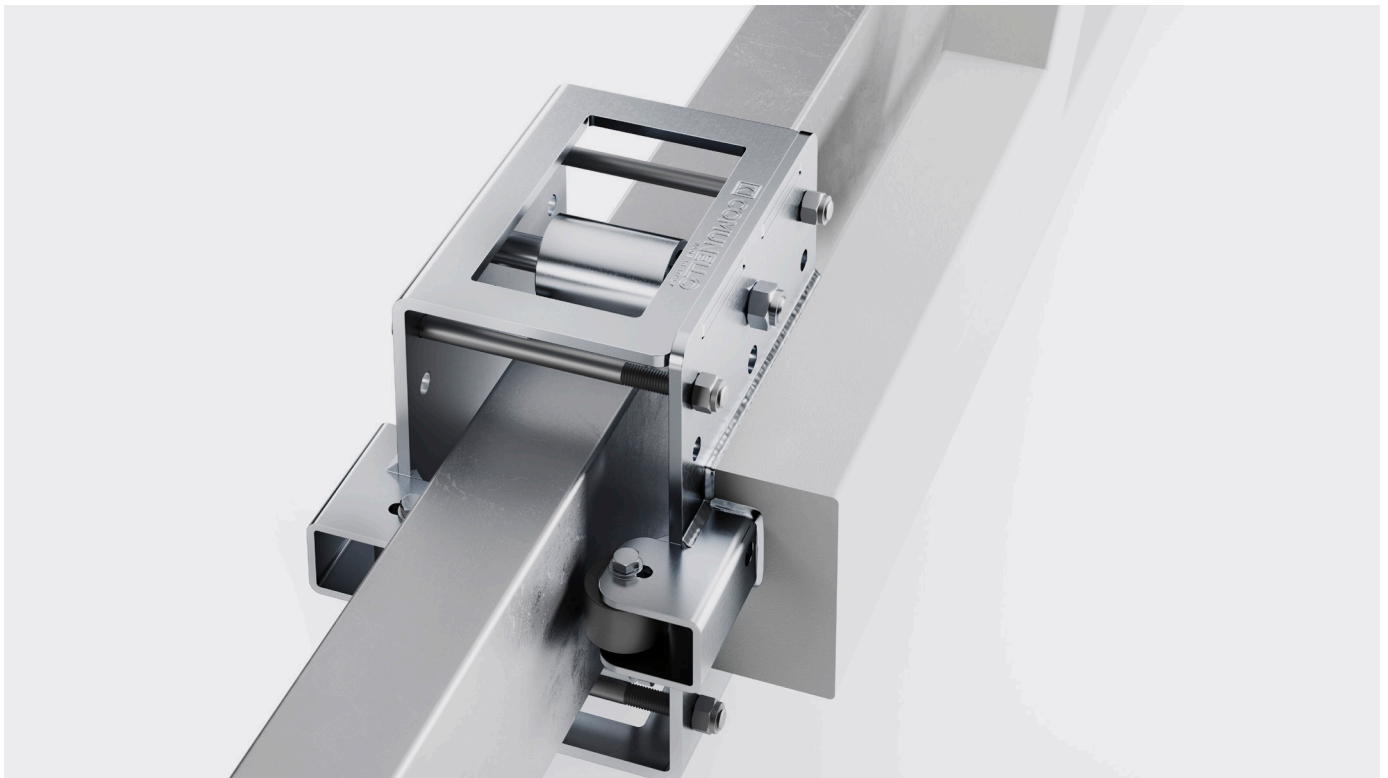
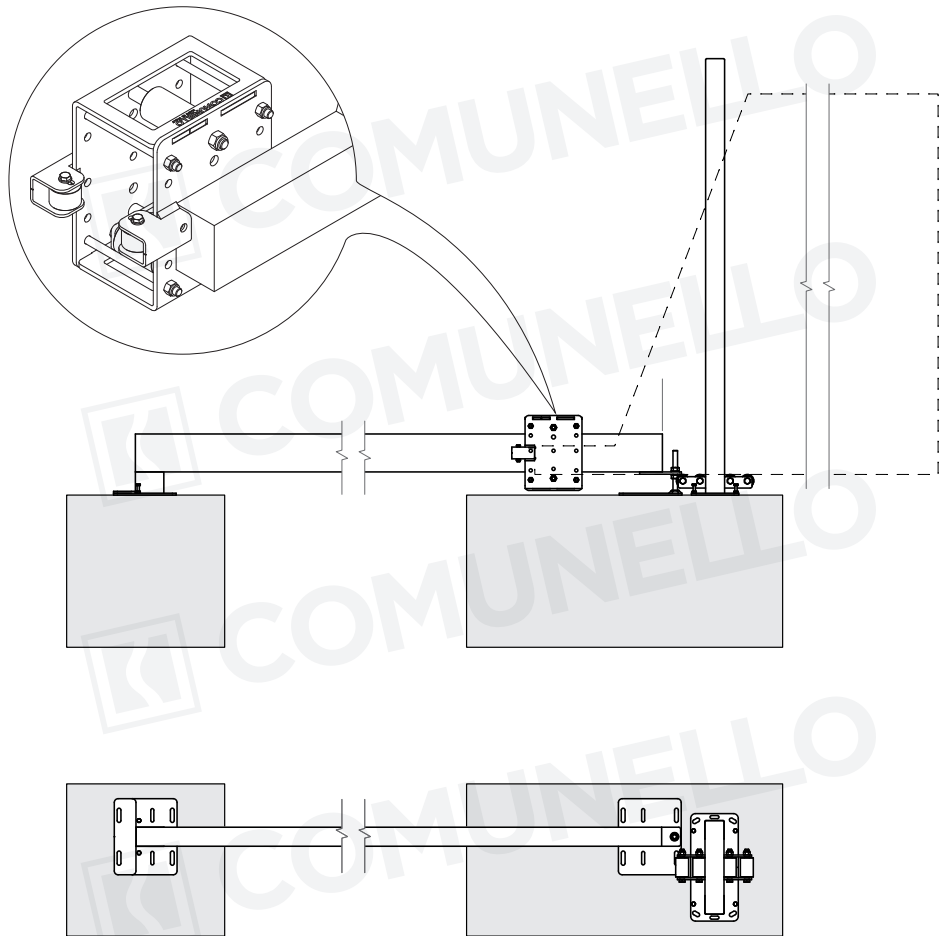


The
Backrail
 Cantilever System

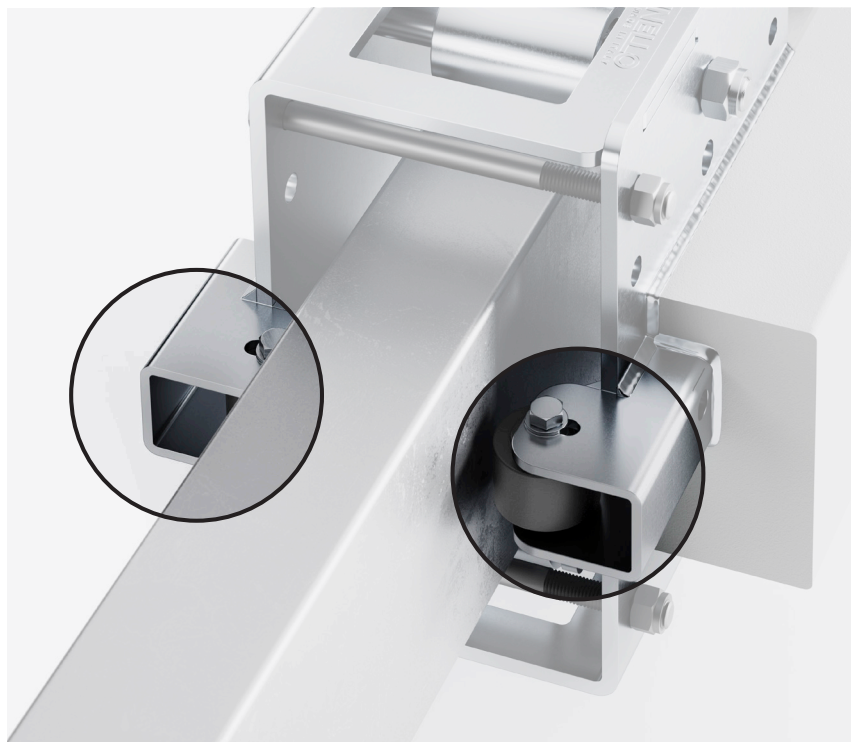
**Weld-on
 installation**

Roller box design allows for either weld on or bolt on configurations.

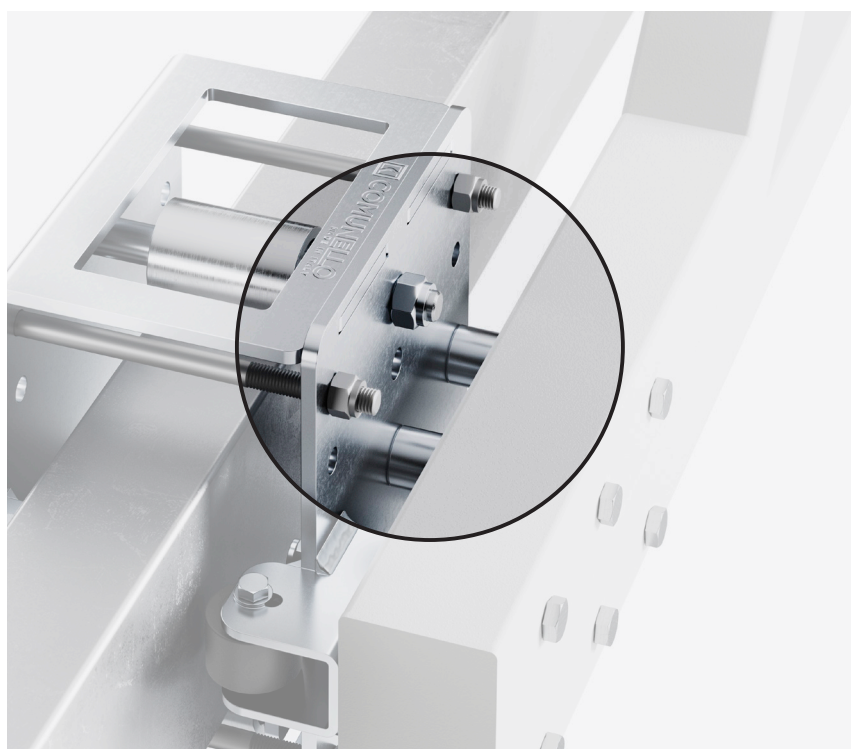
The weld-on version allows to reduce the space between gate and tubular backrail.



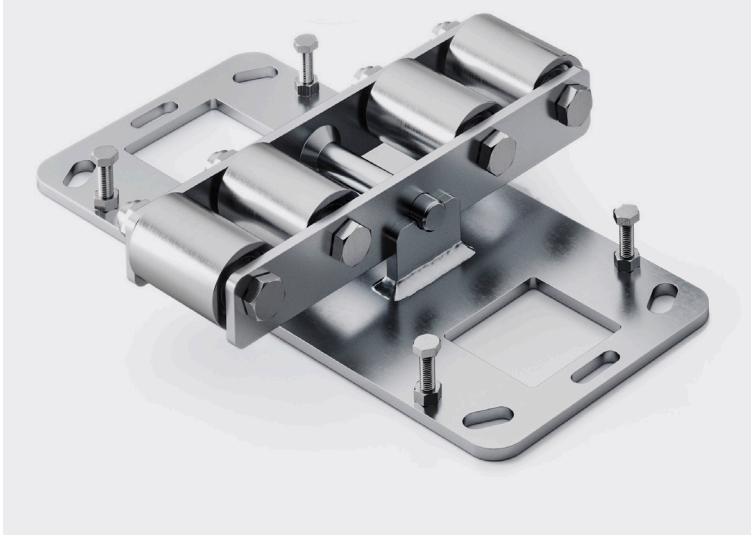
The Backrail Cantilever System



Roller box is integrated with adjustable nylon guide rollers to maintain gate tracking and performance.



- Backrail system accommodates both 150 x 100mm and 200 x 100mm backrail RHS.
- Just by changing the position of the upper roller we make the system suitable for 200x100 and 150x100 backrail RHS.



- Hot dipped galvanised front base plate is laser cut to accommodate double post, and fitted with 4 x heavy duty steel rollers on a pivoting cradle system .
- The quality of the materials and bearings used guarantees a high load capacity which makes the system suitable for gates up to 1900Kg.

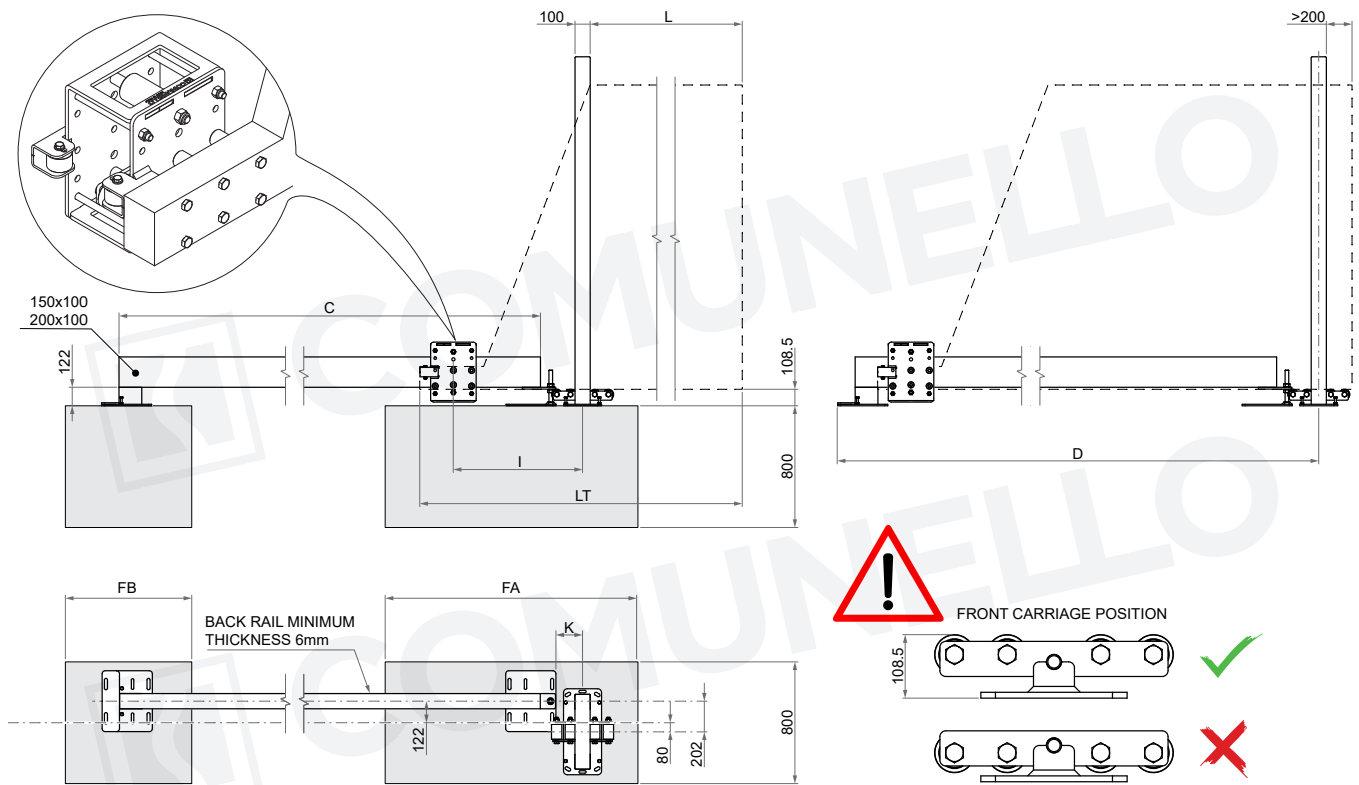


The kit Includes 4 x side support rollers with mounting brackets to ensure accurate gate tracking.

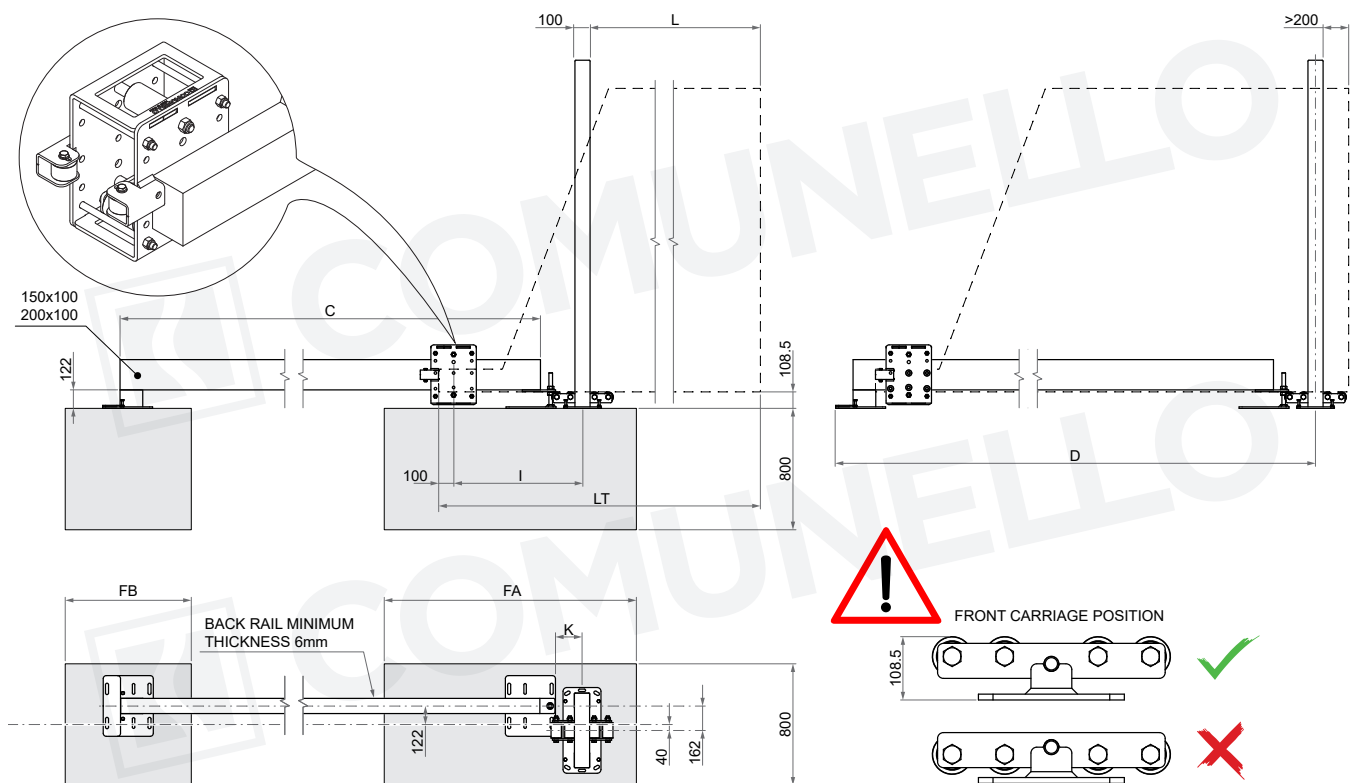


- The Kit is supplied with weld on front and rear foundation base plates to suit backrail RHS.
- Thanks to the buttonholes in the plates and the threaded rod it is possible to adjust the backrail RHS position and level it up.

Configuration of a Bolt-on installation



Configuration of a weld-on installation



weight (Kg)	L=5m		L=6m		L=7m		L=8m		L=9m		L=10m	
	FA (m)	lmin (m)	FA (m)	lmin (m)	FA (m)	lmin (m)	FA (m)	lmin (m)	FA (m)	lmin (m)	FA (m)	lmin (m)
200	1,19	0,70	1,21	0,70	1,23	0,70	1,26	0,70	1,28	0,70	1,36	0,70
300	1,26	0,70	1,29	0,70	1,33	0,70	1,47	0,70	1,65	0,70	1,81	0,70
400	1,33	0,70	1,38	0,70	1,59	0,70	1,80	0,70	2,00	0,70	2,19	0,70
500	1,41	0,70	1,59	0,70	1,84	0,70	2,07	0,70	2,29	0,70	2,49	0,70
600	1,49	0,70	1,78	0,70	2,05	0,70	2,30	0,70	2,53	0,74	2,74	0,82
700	1,64	0,70	1,95	0,70	2,23	0,71	2,49	0,80	2,72	0,89	2,93	0,98
800	1,77	0,70	2,09	0,72	2,39	0,83	2,65	0,93	2,88	1,04	3,09	1,14
900	1,88	0,71	2,22	0,83	2,51	0,85	2,77	1,08	3,01	1,20	3,22	1,32
1000	1,98	0,82	2,32	0,95	2,61	1,09	2,87	1,23	3,10	1,36	3,31	1,50
1100	2,06	0,92	2,40	1,08	2,69	1,23	2,95	1,39	3,18	1,54	3,38	1,70
1200	2,12	1,03	2,46	1,21	2,75	1,38	3,01	1,55	3,23	1,73	3,43	1,90
1300	2,20	1,15	2,51	1,34	2,80	1,54	3,05	1,73	3,27	1,93	3,46	2,12
1400	2,33	1,28	2,55	1,49	2,83	1,71	3,07	1,92	3,28	2,14	3,47	2,35
1500	2,46	1,41	2,70	1,65	2,93	1,88	3,17	2,12	3,41	2,36	3,65	2,60
1600	2,60	1,55	2,86	1,81	3,12	2,07	3,39	2,34	3,65	2,60	3,91	2,86
1700	2,76	1,71	3,04	1,99	3,33	2,28	3,61	2,56	3,90	2,85	4,19	3,14
1800	2,92	1,87	3,23	2,18	3,54	2,49	3,86	2,81	4,17	3,12	4,49	3,44
1900	3,09	2,04	3,43	2,38	3,78	2,73	4,12	3,07	4,46	3,41	4,81	3,76

weight (Kg)	L=11m		L=12m		L=13m		L=14m		L=15m	
	FA (m)	lmin (m)	FA (m)	lmin (m)	FA (m)	lmin (m)	FA (m)	lmin (m)	FA (m)	lmin (m)
200	1,49	0,70	1,61	0,70	1,74	0,70	1,86	0,70	1,98	0,70
300	1,97	0,70	2,13	0,70	2,27	0,70	2,41	0,70	2,55	0,70
400	2,36	0,70	2,53	0,70	2,69	0,70	2,84	0,72	2,98	0,77
500	2,68	0,73	2,85	0,79	3,02	0,86	3,17	0,92	3,32	0,98
600	2,93	0,89	3,11	0,97	3,27	1,05	3,43	1,12	3,58	1,20
700	3,13	1,07	3,31	1,16	3,47	1,25	3,63	1,34	3,77	1,43
800	3,29	1,25	3,46	1,35	3,63	1,46	3,78	1,57	3,91	1,67
900	3,41	1,44	3,58	1,56	3,74	1,68	3,88	1,80	4,02	1,93
1000	3,50	1,64	3,67	1,78	3,82	1,92	3,96	2,06	4,09	2,20
1100	3,56	1,85	3,73	2,01	3,87	2,17	4,01	2,32	4,13	2,48
1200	3,60	2,08	3,76	2,25	3,90	2,43	4,03	2,60	4,15	2,78
1300	3,63	2,32	3,78	2,51	3,91	2,71	4,03	2,90	4,15	3,10
1400	3,63	2,57	3,83	2,78	4,05	3,00	4,27	3,22	4,48	3,43
1500	3,89	2,84	4,12	3,07	4,36	3,31	4,60	3,55	4,84	3,79
1600	4,17	3,12	4,43	3,38	4,70	3,65	4,96	3,91	5,22	4,17
1700	4,48	3,43	4,76	3,71	5,05	4,00	5,34	4,29	5,63	4,58
1800	4,80	3,75	5,12	4,07	5,43	4,38	5,75	4,70	6,07	5,02
1900	5,15	4,10	5,50	4,45	5,84	4,79	6,19	5,14	6,53	5,48

FB=FA/2
LT=L+l+270mm
LT=L+l+150mm

ROLLER BOX TO BE FIXED
ROLLER BOX TO BE WELDED

K=l-530mm
C=L+620mm
D=C+K+15mm

Gate innovation made in Comunello

 **COMUNELLO GATE**

FRATELLI COMUNELLO S.P.A.

Via Cassola, 64 - C.P. 79

36027 Rosà, Vicenza, Italy

Tel. +39 0424 585111 Fax +39 0424 533417

info@comunello.it www.comunello.com