

 **COMUNELLO** **GATE**

Bullet



REVOLUTIONARY  
MONO CARRIAGE  
CANTILEVER SYSTEM

# Bullet

PATENT  
PENDING

Taking cantilever gates to new levels of simplicity, these innovative mono carriages are the easiest and fastest to install ever.

A few simple steps to install:

- The distance between the wheel units can be adjusted to adapt the carriage to **different gate sizes**.
- A **single carriage** to align and fix for very rapid installation

*Portando i cancelli autoportanti a nuovi livelli di semplicità, questi carrelli innovativi sono in assoluto i più facili e veloci da installare.*

*Pochi semplici passaggi per l'installazione:*

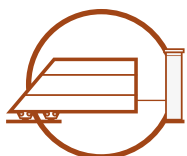
- *La distanza tra le ruote può essere regolata per adattare il carrello alle **diverse dimensioni** dei cancelli.*
- *Un **unico carrello** da allineare e fissare per un'installazione veloce*

 **COMUNELLO**  
MADE IN ITALY



# The Bullet mono-carriage cantilever system

## *Il mono-carrello Bullet*



- **EASY AND FAST.** The ease of installing a single mono-carriage insures an extremely rapid operation.
- **ADJUSTABLE.** The mono-carriage is adjustable in length allowing for many different gate size and weight installations.
- **ALIGNEMENT.** The alignment between the wheel units is always perfect without guides or accessories.

- **FACILE E VELOCE.** *Il semplice posizionare un unico carrello consente un'installazione facile e veloce*
- **REGOLABILE.** *La distanza regolabile tra le ruote rende il monocarrello adatto a differenti lunghezze e pesi di cantilever.*
- **ALLINEAMENTO.** *L'allineamento tra le ruote è sempre garantito senza l'ausilio di dime o altri accessori.*



### Spacers for rack *Attacchi per cremagliera*



ART.
263
264
266

### Tracks / Binari



ART.
CGS-345M
CGS-345P
CGA-345M
CGA-345P

### Racks / Cremagliere



ART.
260-22x22
262-30x12
261-26x20

End cup / *Incontro*



ART.
CG-25M
CG-25P
CG-30M
CG-30P
CG-35P

Bottom end cup  
*Incontro inferiore*



ART.
CGS-346M
CGS-346P

Guide plates / *Piastre*



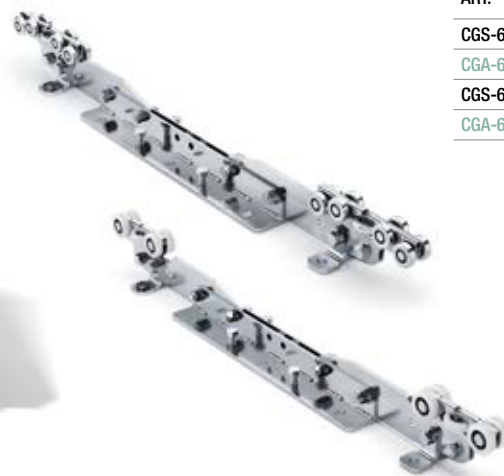
ART.
CG-251
252-200
232-30
232-40

Tension bar / *Tirante*



ART.
CG-40

Carriages / *Carrelli*



ART.
CGS-600.18 M
CGA-600.10 M
CGS-600.18 P
CGA-600.10 P



Fixing template / *Fissaggio*



ART.
CG-06M
CG-06P
CG-65

End stopper for monorail  
*Terminale per monorotaia*



ART.
CGS-347M
CGS-347P
CGA-347M
CGA-347P
CG-20M
CG-20P
CGA-20M
CGA-20P
CG-21M
CG-21P

Wall bracket  
*Staffa fissaggio a muro*



ART.
CG-15M
CG-15P



The adjustable, precise, rapid installation mono carriage. Configuration made easy.  
*Un unico carrello per dimensioni diverse.  
Preciso, regolabile e di rapida installazione.*

## CGS-600.18

## CGA-600.10 ALUMINIUM

5 nylon wheel carriage head with new generation silent sealed bearings

*5 ruote in nylon con cuscinetti schermati e silenziosi di nuova generazione*

Space between gate and floor reduced to 75 mm for the MINI versions and 85 mm for the SMALL versions

*Spazio tra cancello e pavimento ridotto a 75 mm per le versioni MINI e 85 mm per le versioni PICCOLO*



Bullet mono-carriage	H mm
CGS-600.18 M	75
CGS-600.18 P	85
CGA-600.10 M	75
CGA-600.10 P	85

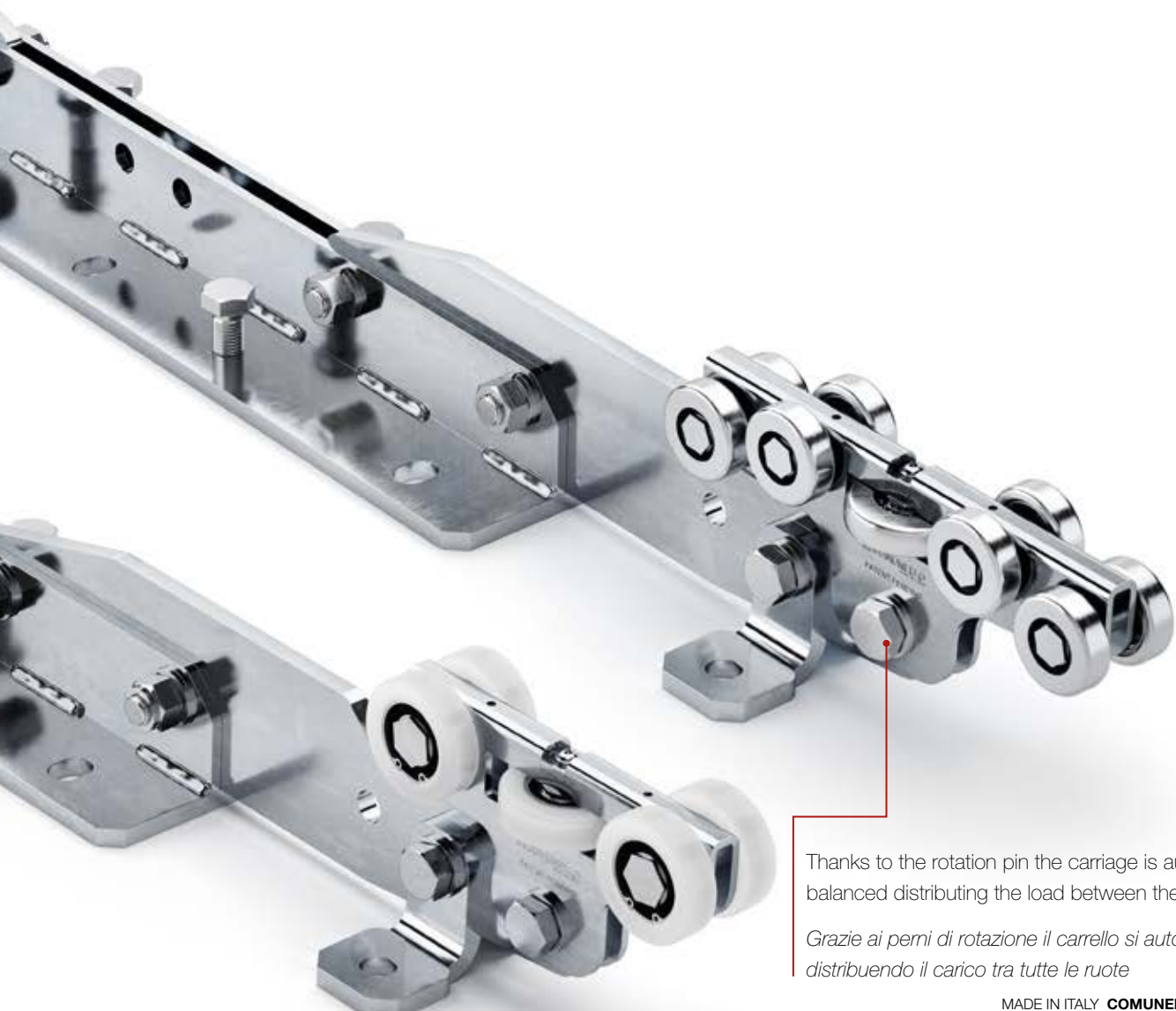
# Internationally patented carriage body structure

## *Struttura carrello con brevetto internazionale*

9 Wheel carriage head with new generation silent sealed bearings  
*9 ruote con cuscinetti schermati e silenziosi di nuova generazione*

The disalignment between the four center wheels and the four external wheels allows the full load of the gate to be exchanged from the external wheels to the internal wheels when opening and closing

*Il disallineamento tra le ruote centrali e quelle esterne consente di spostare il carico del cancello in maniera alternata prima sulle ruote centrali e poi su quelle esterne nel momento dell'apertura e della chiusura del cancello*



Thanks to the rotation pin the carriage is automatically balanced distributing the load between the wheels

*Grazie ai perni di rotazione il carrello si autobilancia distribuendo il carico tra tutte le ruote*

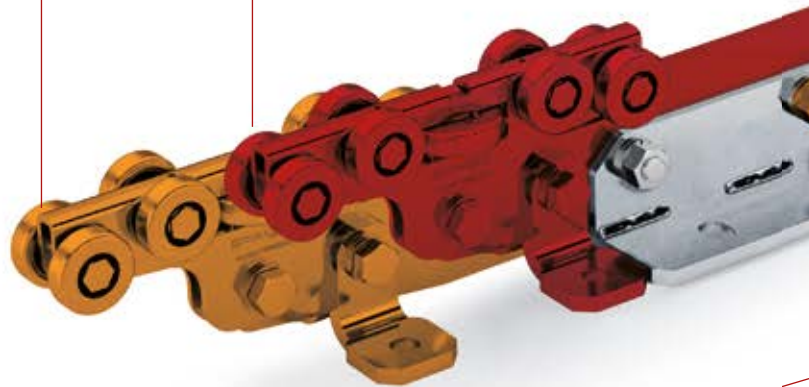
# Bullet. Simplified and precise installation

## *Bullet. Installazione semplificata e precisa*

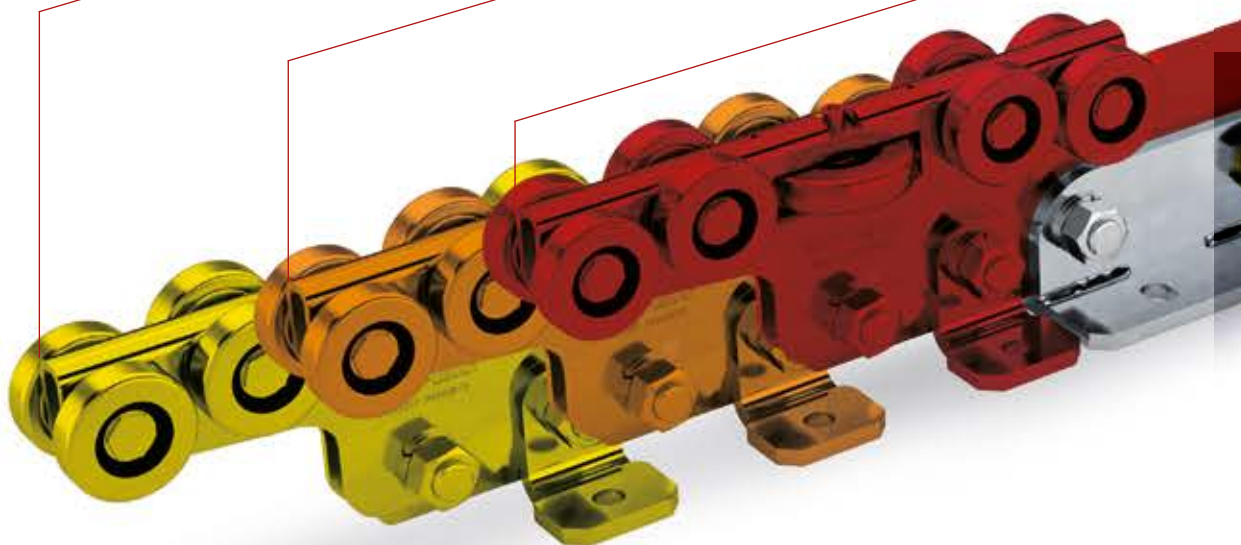
Select the required carriage length and simply position the mono carriage.

*Scegli la posizione adatta delle ruote e semplicemente posiziona il monocarrello*

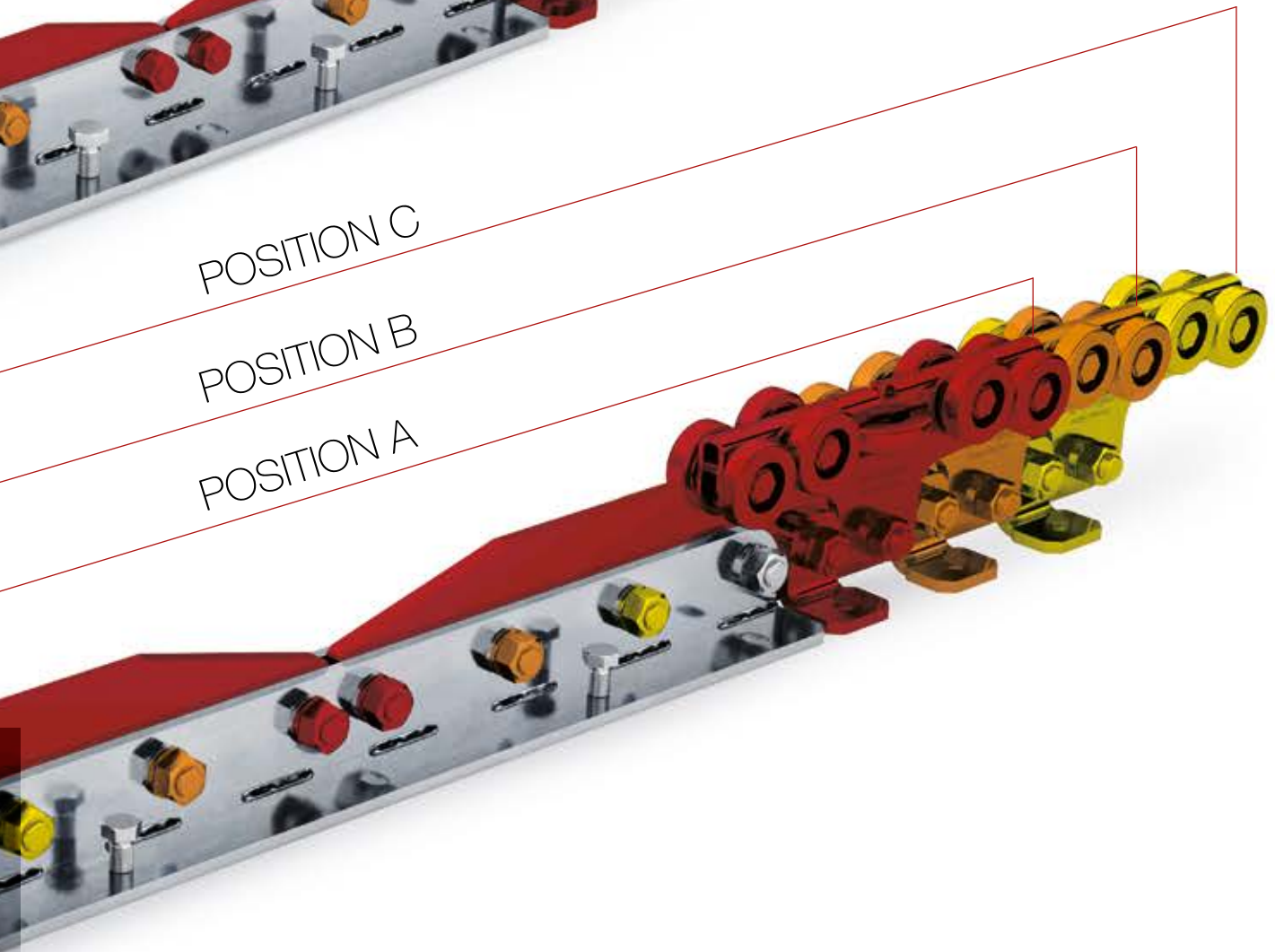
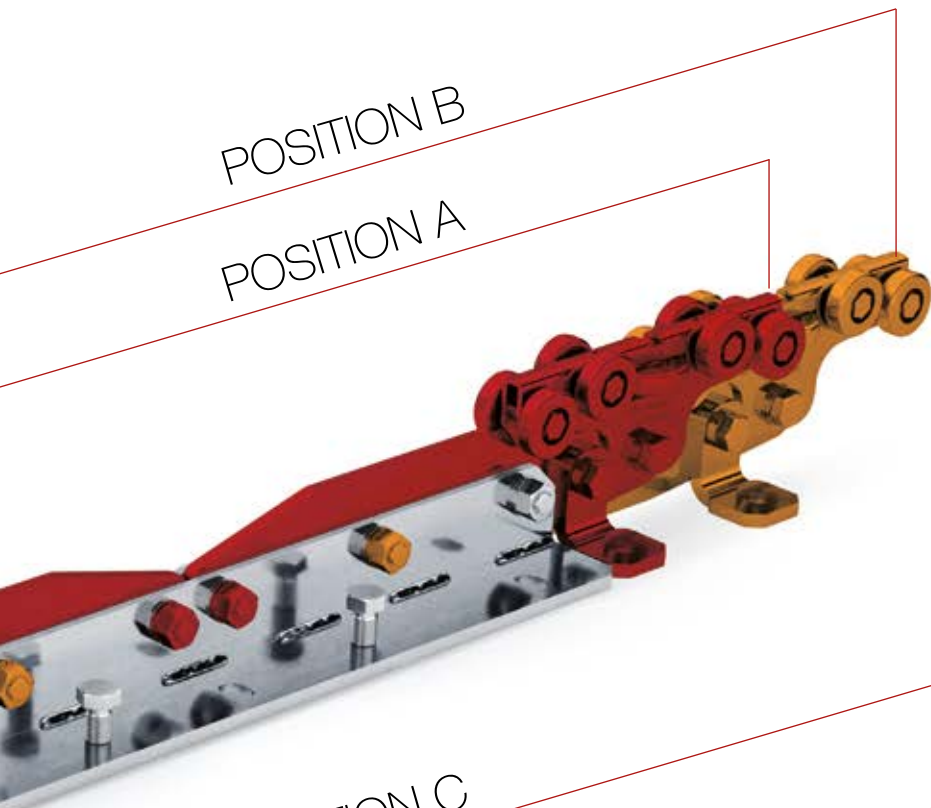
## Bullet MINI



## Bullet PICCOLO







**BULLET**

# Bullet MINI PATENT PENDING

## CGS-600.18 M

Adjustable Mini cantilever carriage with 18 wheels, Bullet system

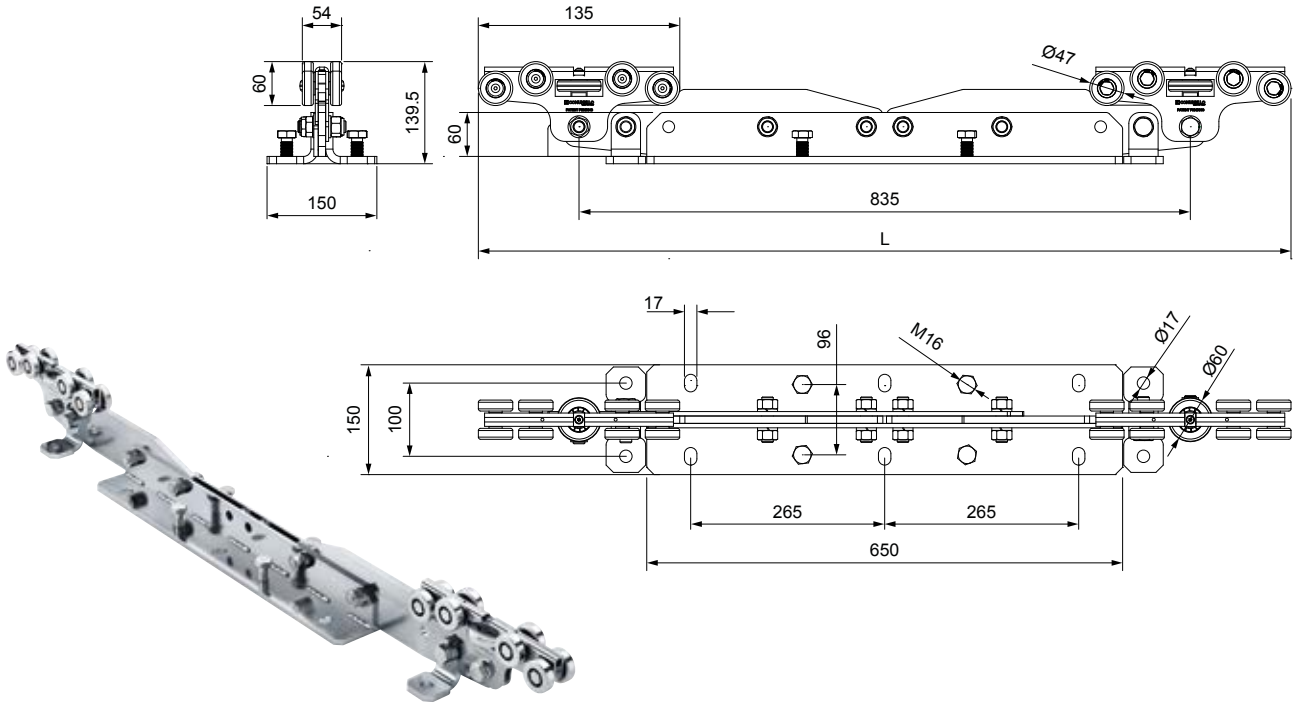
*Carrello Bullet Mini regolabile a 18 ruote*

*Chariot autoportant ajustable Mini avec 18 roues, système Bullet*

*Einstellbar Mini Laufwagen mit 18 Rädern, Bullet System*

*Carro ajustable autoportante Mini con 18 ruedas, sistema Bullet*

*Регулируемая 18-ти колесная тележка Mini, система Bullet*

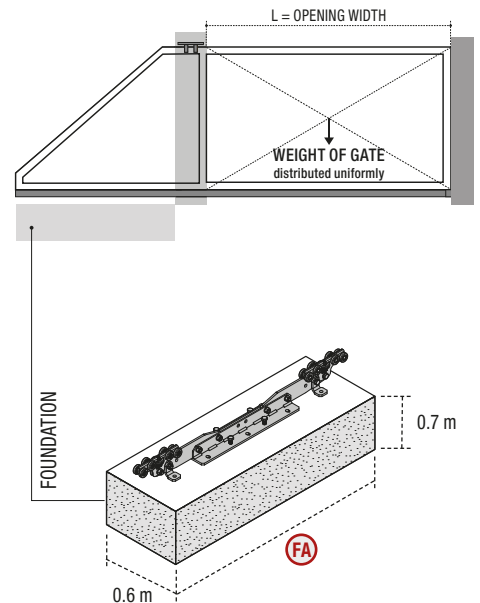


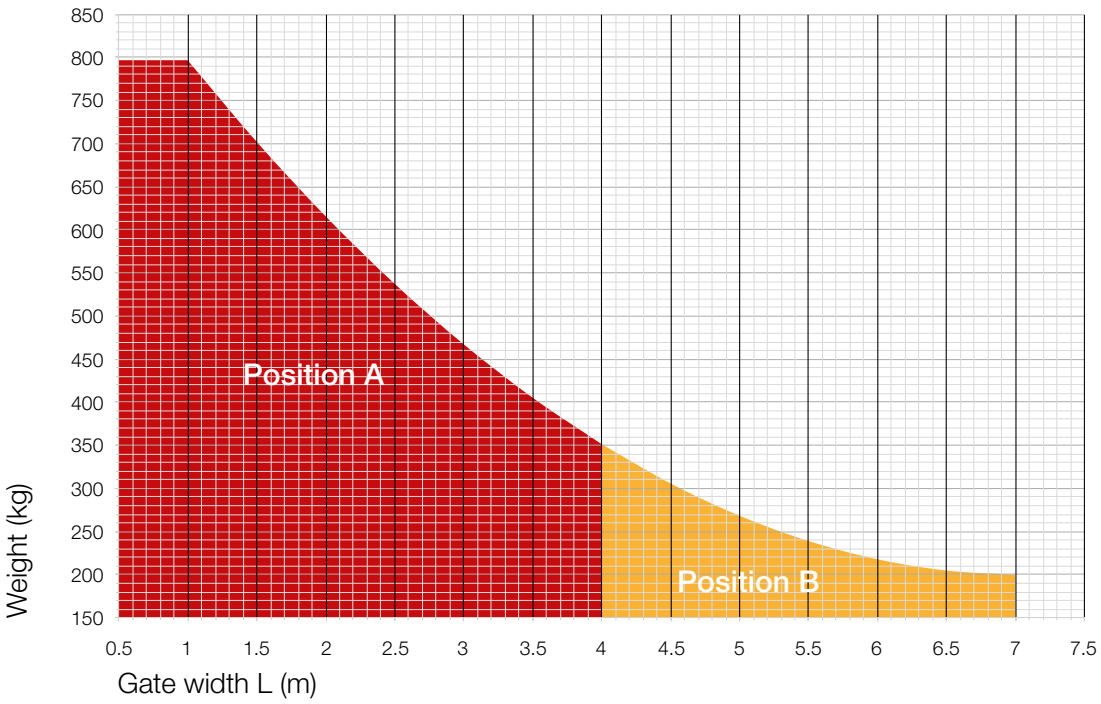
CODE	ART.	Size	L position A	L position B	Box info	
					Pcs per pack	Kg
10130404 001	CGS-600.18 M	Mini	1110	1390	1	29

Minimum dimensions of the reinforced concrete casting  
*Dimensioni minime getto cemento armato*

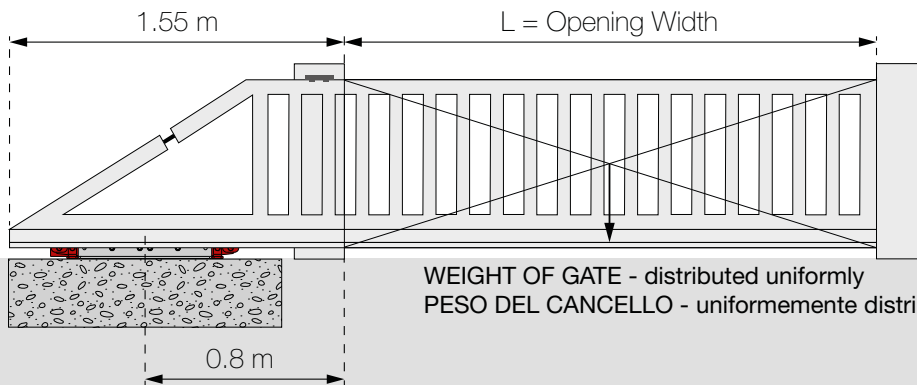
### FOUNDATION CALCULATOR / CALCOLO FONDAZIONE

Weight (Kg)	POSITION A			POSITION B		
	L=2 m FA (m)	L=3 m FA (m)	L=4 m FA (m)	L=5 m FA (m)	L=6 m FA (m)	L=7 m FA (m)
100	1.1	1.1	1.1	1.1	1.1	1.2
150	1.1	1.1	1.1	1.2	1.3	1.4
200	1.1	1.1	1.2	1.4	1.5	1.7
250	1.1	1.2	1.4	1.6		
300	1.1	1.3	1.5			
350	1.3	1.5	1.7			
400	1.4	1.7				
450	1.5	1.8				
500	1.7					
550	1.8					
600	2.0					

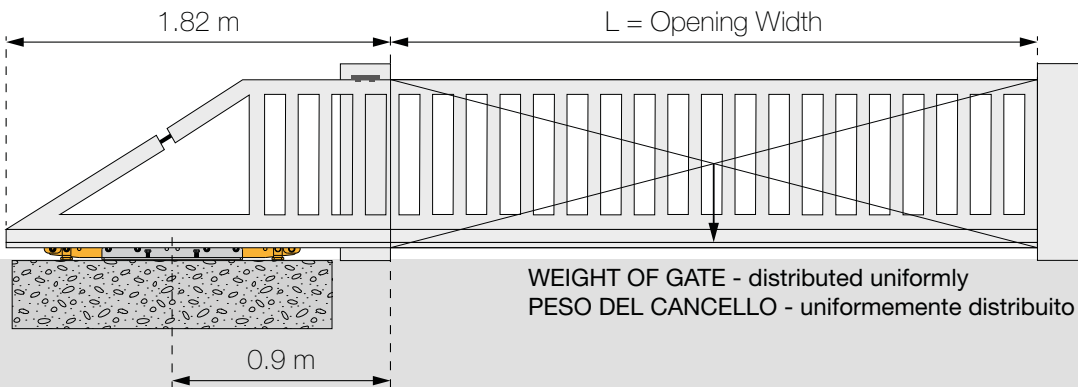
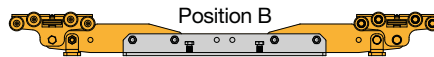




Bullet MINI - Position A



Bullet MINI - Position B



The automation must be installed at the centre of the mono carriage  
 L'automazione deve essere installata in corrispondenza dell'asse centrale del carrello

BULLET MINI ALUMINIUM

# Bullet PICCOLO PATENT PENDING

## CGS-600.18 P

Adjustable Piccolo cantilever carriage with 18 wheels, Bullet system

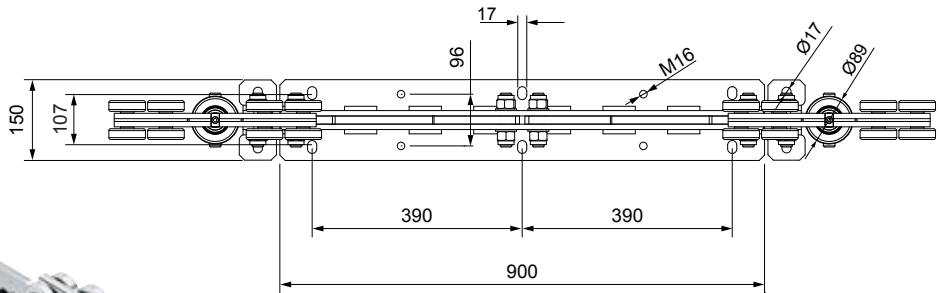
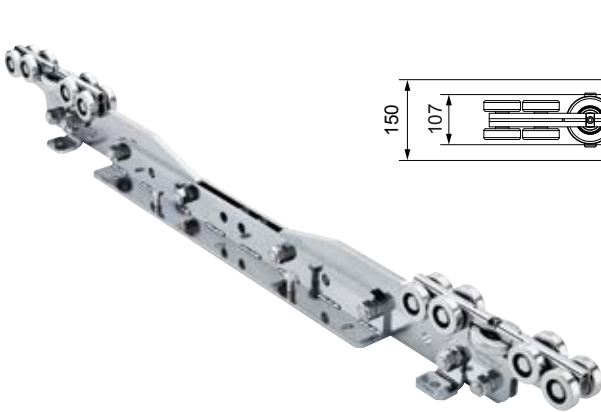
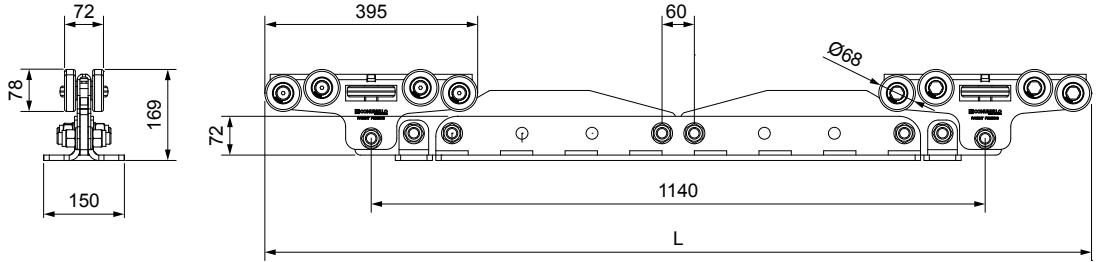
*Carrello Bullet Piccolo regolabile a 18 ruote*

*Chariot autoportant adjustable Piccolo avec 18 roues, système Bullet*

*Einstellbar Piccolo Laufwagen mit 18 Rädern, Bullet System*

*Carro ajustable autoportante pequeño con 18 ruedas, sistema Bullet, por puertas en aluminio*

*Регулируемая 18-ти колесная тележка Piccolo, система Bullet*



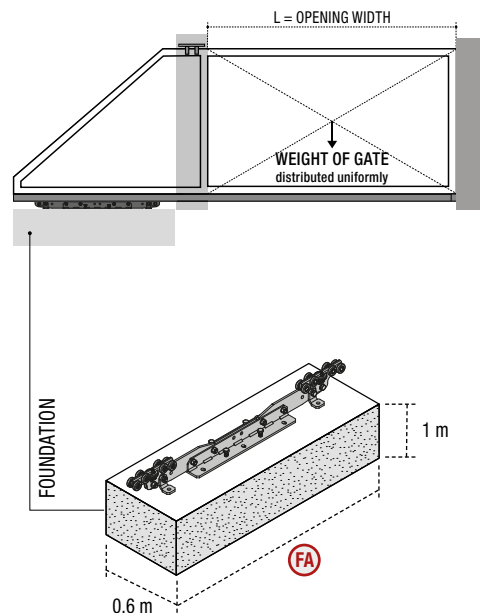
CODE	ART.	Size	L position A	L position B	L position C	Box info	
						Pcs per pack	Kg
10130405 001	CGS-600.18 P	Piccolo	1535	1795	2055	1	54.5

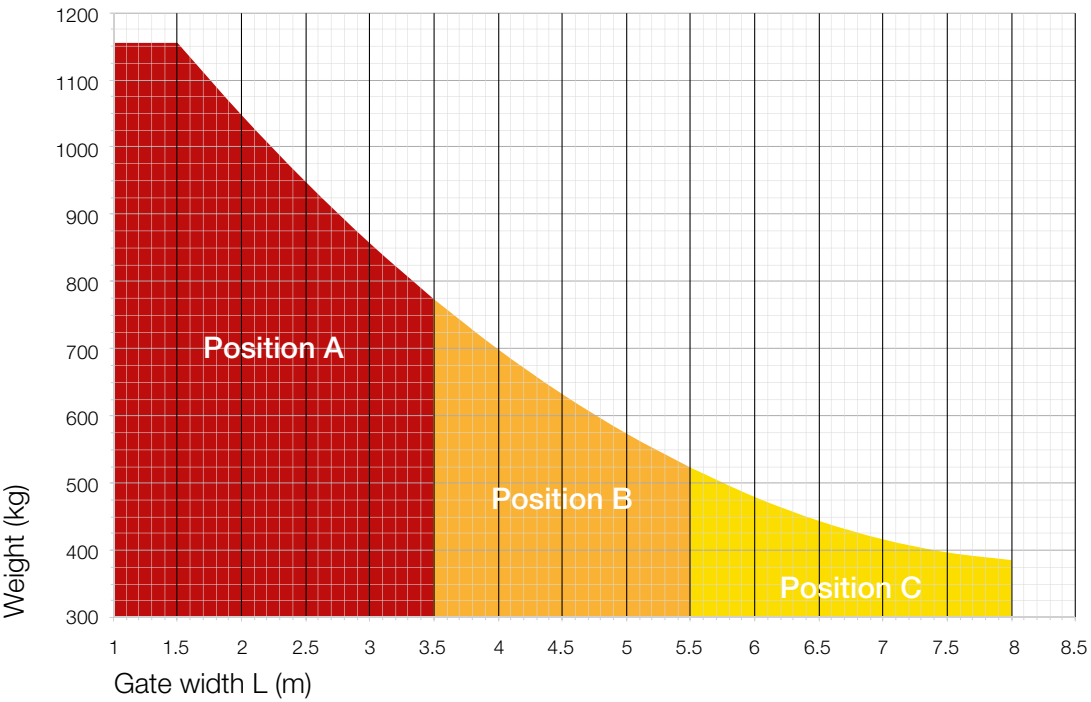
Minimum dimensions of the reinforced concrete casting

*Dimensioni minime getto cemento armato*

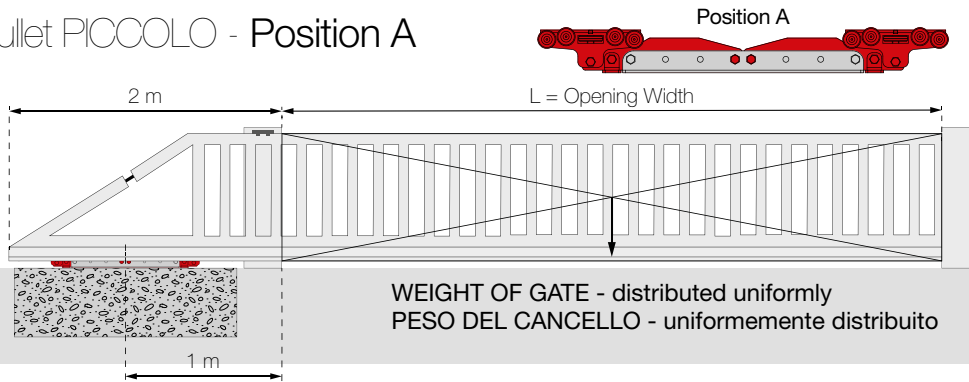
### FOUNDATION CALCULATOR / CALCOLO FONDAZIONE

Weight (Kg)	POSITION A		POSITION B		POSITION C		
	L=2 m FA (m)	L=3 m FA (m)	L=4 m FA (m)	L=5 m FA (m)	L=6 m FA (m)	L=7 m FA (m)	L=8 m FA (m)
100	1.3	1.3	1.3	1.3	1.3	1.3	1.3
150	1.3	1.3	1.3	1.3	1.3	1.3	1.3
200	1.3	1.3	1.3	1.3	1.3	1.3	1.5
250	1.3	1.3	1.3	1.3	1.3	1.5	1.6
300	1.3	1.3	1.3	1.3	1.5	1.6	1.8
350	1.3	1.3	1.3	1.4	1.6	1.8	2.0
400	1.3	1.3	1.4	1.6	1.7	1.9	
450	1.3	1.3	1.5	1.7	1.9		
500	1.3	1.4	1.6	1.8			
550	1.3	1.5	1.7	2.0			
600	1.3	1.6	1.8				
650	1.4	1.7	2.0				
700	1.5	1.8	2.1				
750	1.6	1.9					
800	1.7	2.0					
850	1.8						
900	1.9						
950	2.0						
1000	2.1						
1050	2.3						

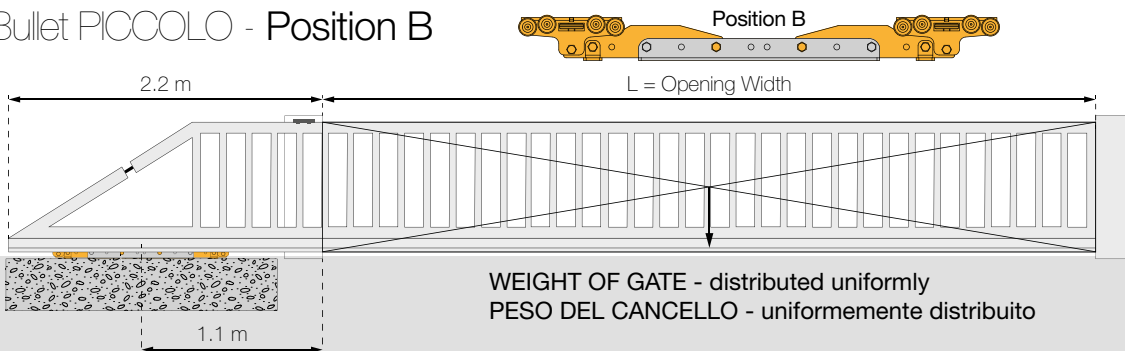




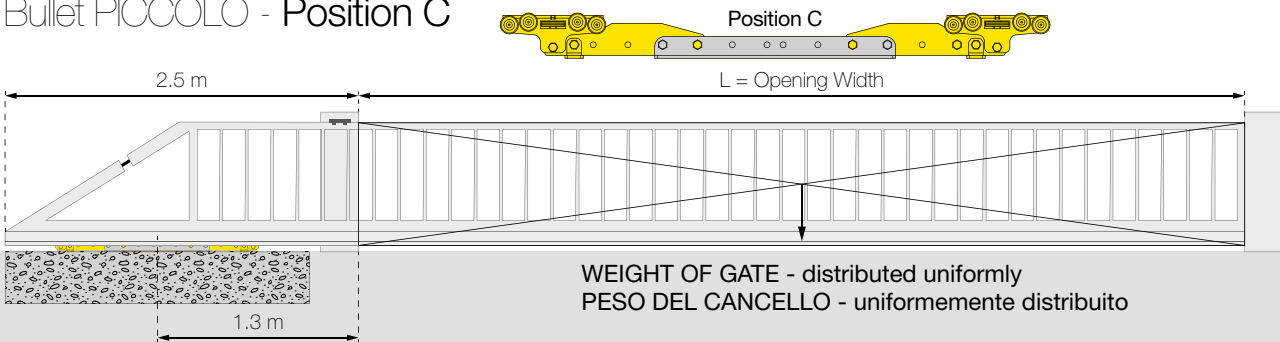
Bullet PICCOLO - Position A



Bullet PICCOLO - Position B



Bullet PICCOLO - Position C



The automation must be installed at the centre of the mono carriage  
 L'automazione deve essere installata in corrispondenza dell'asse centrale del carrello



# Bullet MINI Aluminium

PATENT PENDING

## CGA-600.10 M

Adjustable Mini cantilever carriage with 10 wheels, Bullet system, for aluminium gate

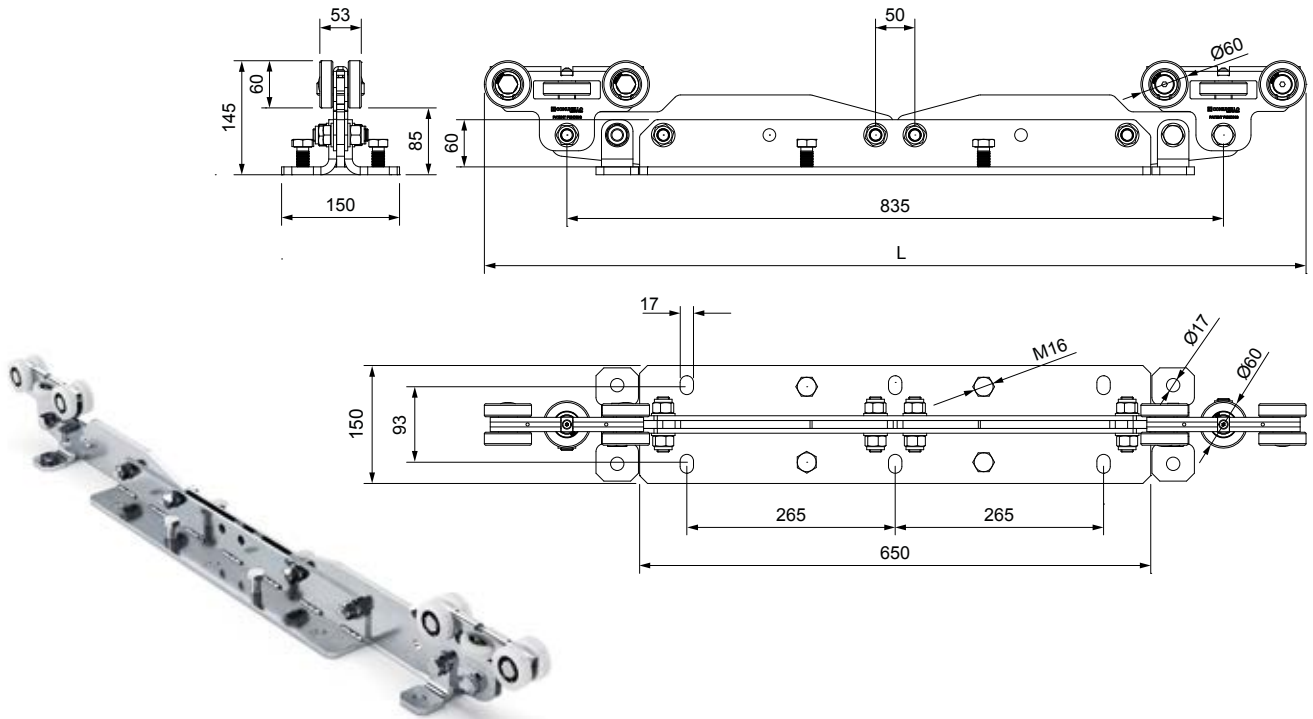
*Carrello Bullet Mini regolabile a 10 ruote per serie alluminio*

*Chariot autoportant ajustable Mini avec 10 roues, système Bullet, pour portail en aluminium*

*Einstellbar Mini Laufwagen mit 10 Rädern, Bullet System für die Aluminum Serie*

*Carro ajustable autoportante Mini con 10 ruedas, sistema Bullet, por puertas en aluminio*

*Регулируемая тележка Bullet Mini с 10 колесами для люминиевой серии*



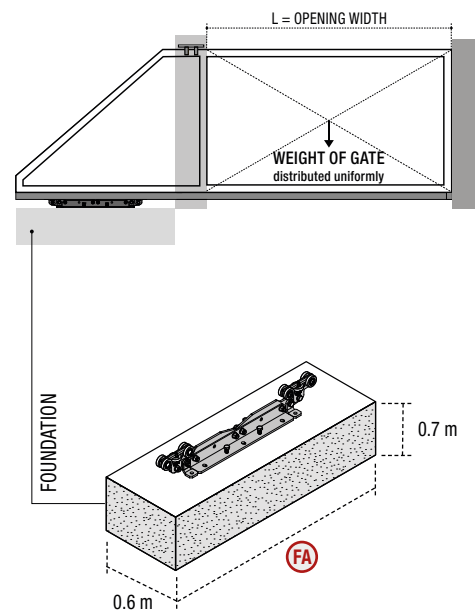
CODE	ART.	Size	L position A	L position B	Box info	
					Pcs per pack	Kg
10130406 001	CGA-600.10 M	Mini	1045	1315	1	27

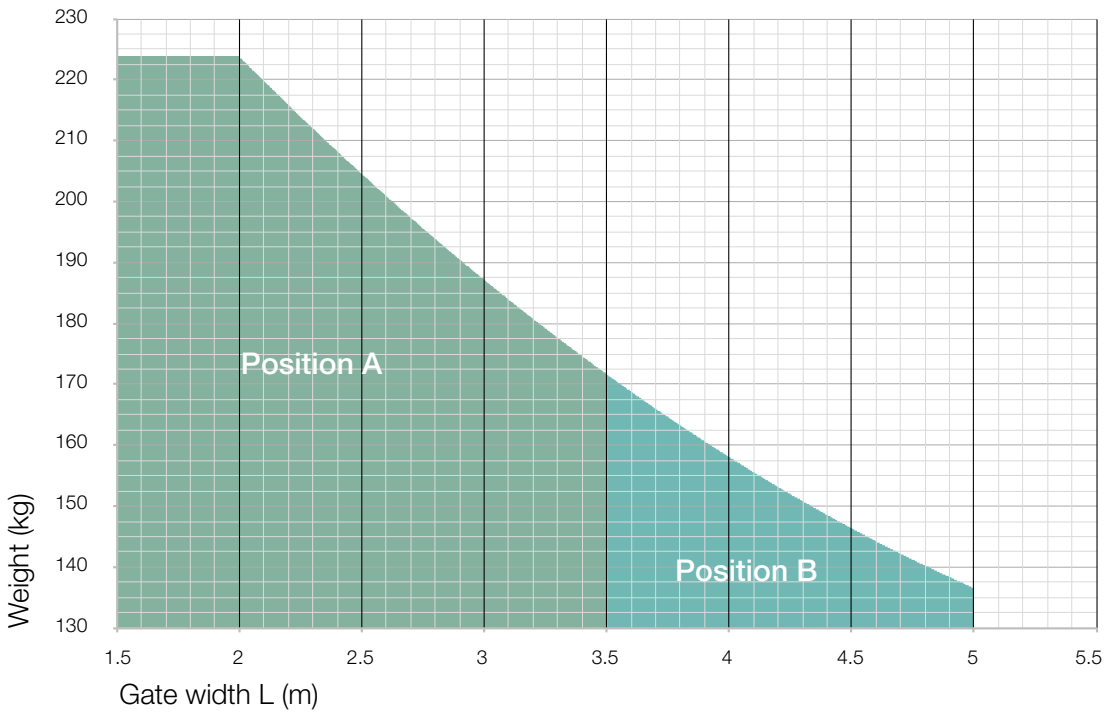
Minimum dimensions of the reinforced concrete casting

*Dimensioni minime getto cemento armato*

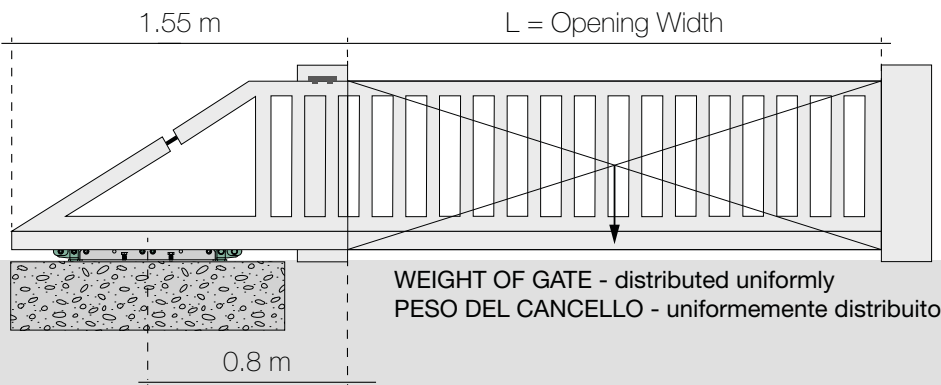
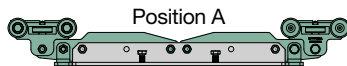
### FOUNDATION CALCULATOR / CALCOLO FONDAZIONE

Weight (Kg)	POSITION A				POSITION B		
	L=2 m	L=2.5 m	L=3 m	L=3.5 m	L=4 m	L=4.5 m	L=5 m
	FA (m)	FA (m)	FA (m)	FA (m)	FA (m)	FA (m)	FA (m)
100	1.1	1.1	1.1	1.1	1.1	1.1	1.1
125	1.1	1.1	1.1	1.1	1.1	1.2	1.2
150	1.1	1.1	1.1	1.1	1.1	1.2	
175	1.1	1.1	1.1	1.2			
200	1.1	1.1					
225	1.1						

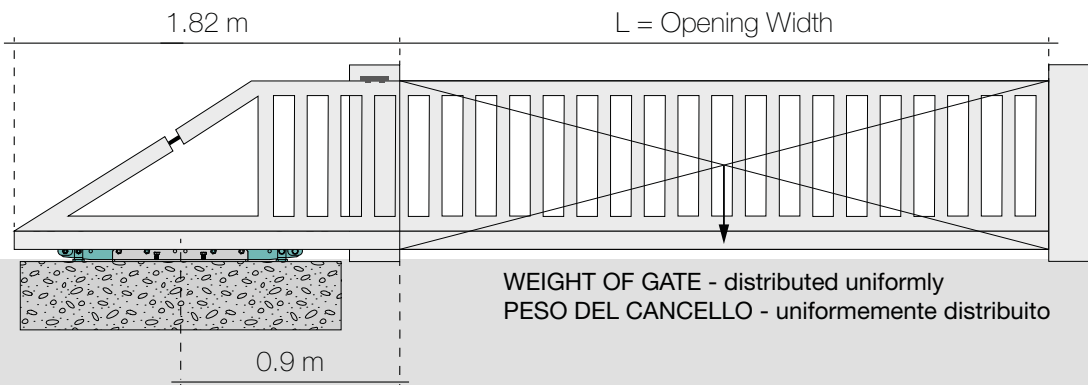




Bullet MINI - Position A



Bullet MINI - Position B



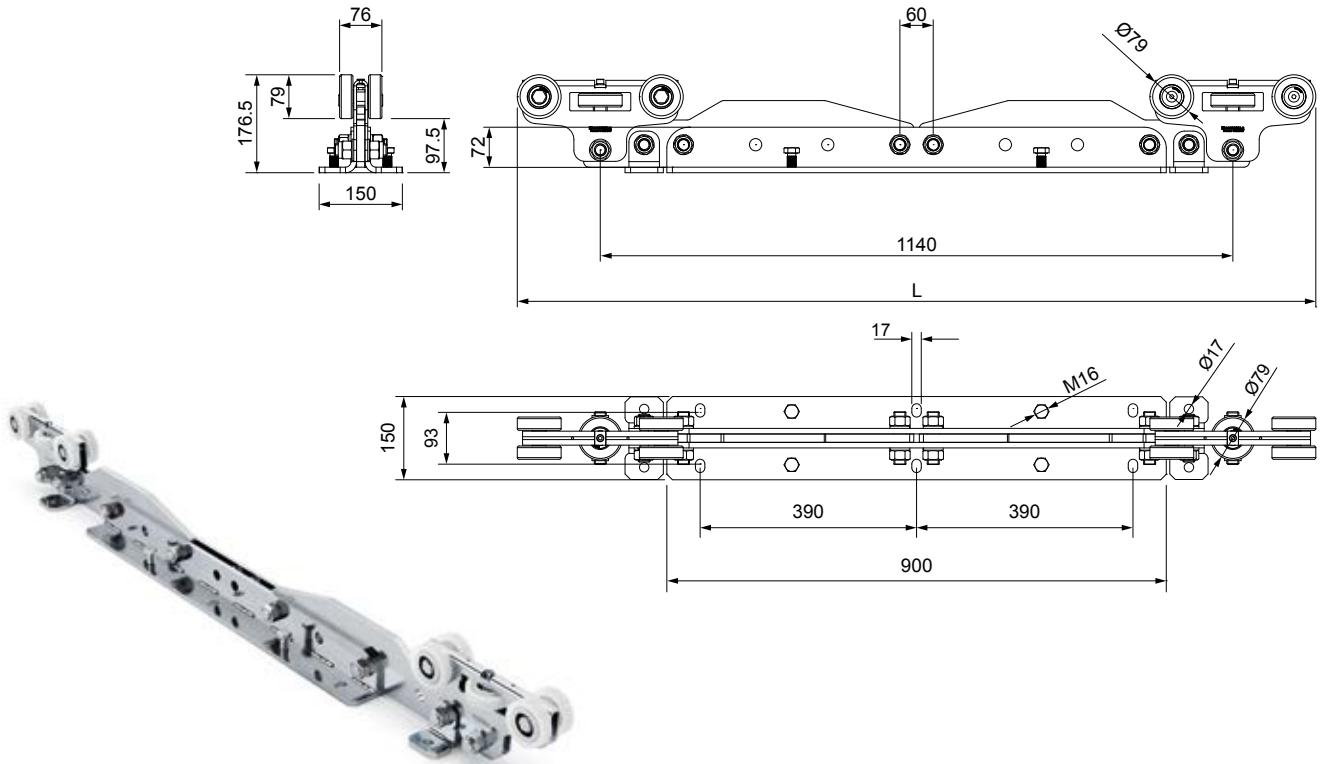
The automation must be installed at the centre of the mono carriage  
L'automazione deve essere installata in corrispondenza dell'asse centrale del carrello

# Bullet PICCOLO Aluminium PATENT PENDING

## CGA-600.10 P

Adjustable Piccolo cantilever carriage with 10 wheels, Bullet system, for aluminium gate

*Carrello Bullet Piccolo regolabile a 10 ruote per serie alluminio*  
*Chariot autoportant ajustable Piccolo avec 10 roues, système Bullet, pour portail en aluminium*  
*Einstellbar Piccolo Laufwagen mit 10 Rädern, Bullet System für die Aluminum Serie*  
*Carro ajustable autoportante pequeño con 10 ruedas, sistema Bullet, por puertas en aluminio*  
*Регулируемая тележка Bullet Piccolo с 10 колесами для люминиевой серии*

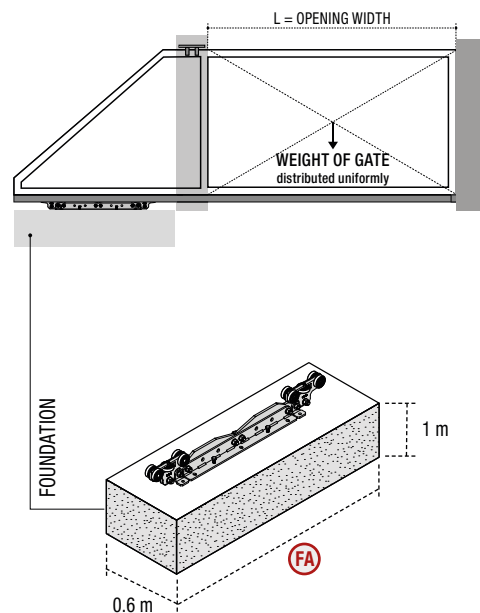


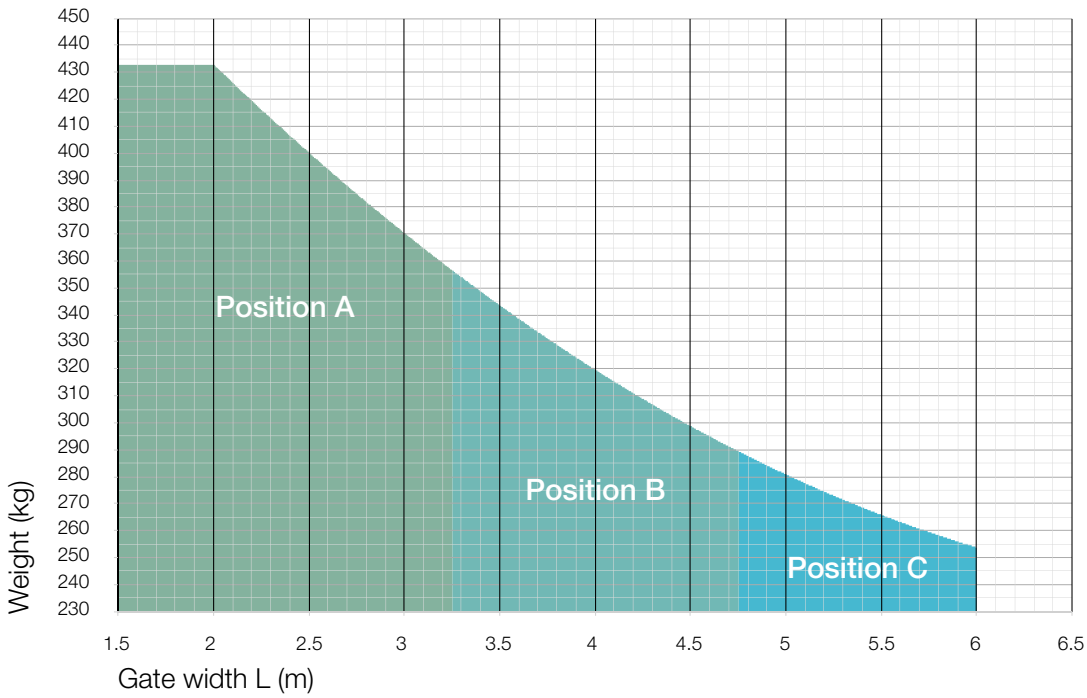
CODE	ART.	Size	L position A	L position B	L position C	Box info	
						Pcs per pack	Kg
10130407 001	CGA-600.10 P	Piccolo	1439	1699	1959	1	49

Minimum dimensions of the reinforced concrete casting  
*Dimensioni minime getto cemento armato*

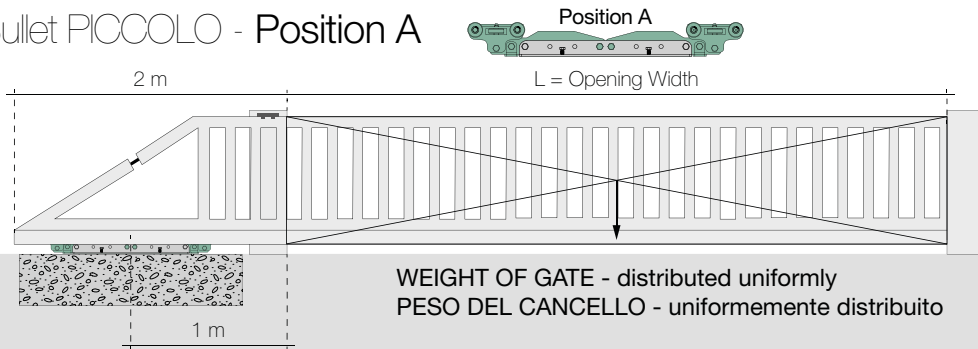
### FOUNDATION CALCULATOR / CALCOLO FONDAZIONE

Weight (Kg)	POSITION A				POSITION B			POSITION C	
	L=2 m	L=2.5 m	L=3 m	L=3.5 m	L=4 m	L=4.5 m	L=5 m	L=5.5 m	L=6 m
100	FA (m)	FA (m)	FA (m)	FA (m)	FA (m)	FA (m)	FA (m)	FA (m)	FA (m)
125	1.3	1.3	1.3	1.3	1.3	1.3	1.3	1.3	1.3
150	1.3	1.3	1.3	1.3	1.3	1.3	1.3	1.3	1.3
175	1.3	1.3	1.3	1.3	1.3	1.3	1.3	1.3	1.3
200	1.3	1.3	1.3	1.3	1.3	1.3	1.3	1.3	1.3
225	1.3	1.3	1.3	1.3	1.3	1.3	1.3	1.3	1.3
250	1.3	1.3	1.3	1.3	1.3	1.3	1.3	1.3	1.3
275	1.3	1.3	1.3	1.3	1.3	1.3	1.3	1.3	
300	1.3	1.3	1.3	1.3	1.3				
325	1.3	1.3	1.3	1.3					
350	1.3	1.3	1.3						
375	1.3	1.3							
400	1.3	1.3							
425	1.3								

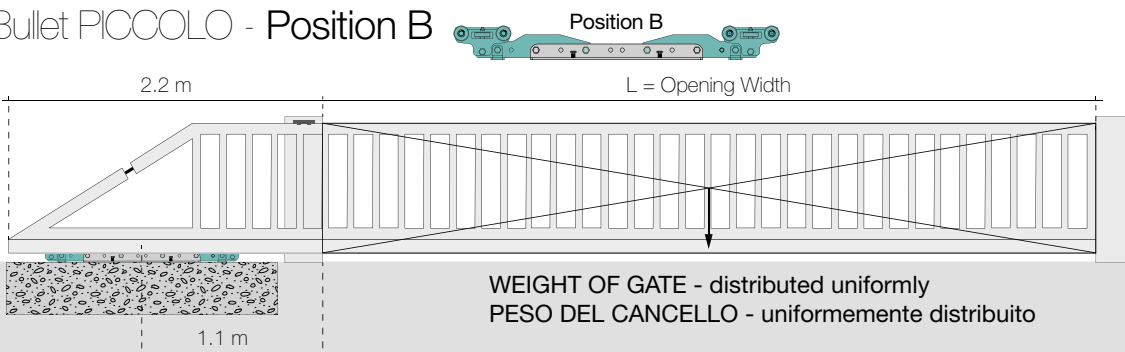




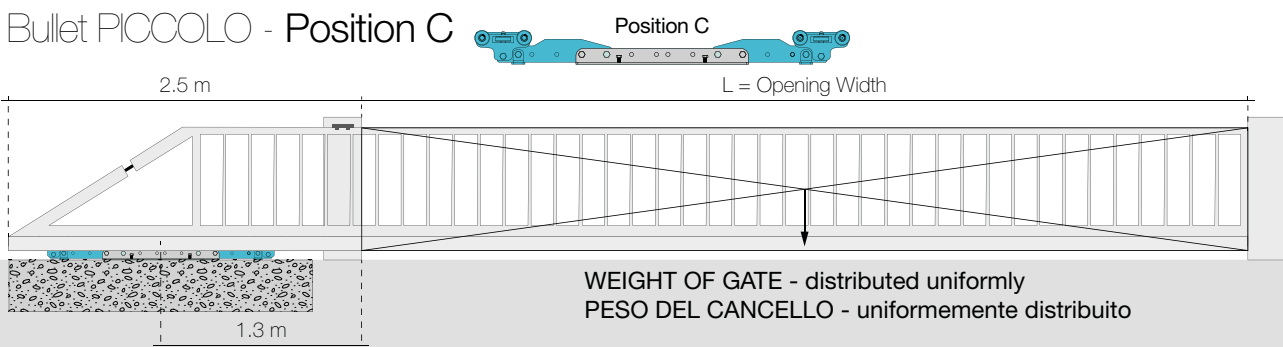
Bullet PICCOLO - Position A



Bullet PICCOLO - Position B



Bullet PICCOLO - Position C



The automation must be installed at the centre of the mono carriage  
L'automazione deve essere installata in corrispondenza dell'asse centrale del carrello

# Compatible Cantilever Accessories

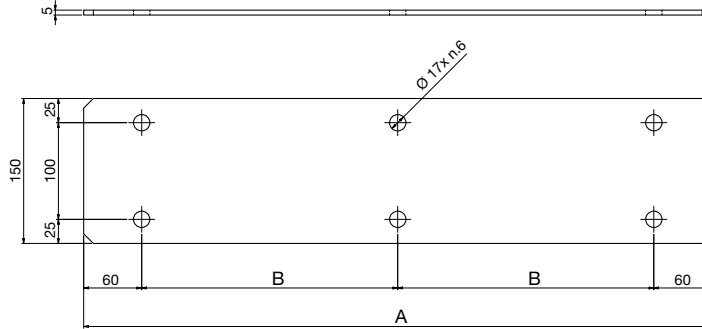
## CG-06

Fixing plate for carriage, Bullet system  
*Contropiastra per fissaggio carrello Bullet*  
*Plaque de fixation pour chariot, système Bullet*  
*Klemmplatte für Laufwagen, Bullet System*  
*Placa de fijación a cementar para carro, sistema Bullet*  
*Контрплита для тележек, система Bullet*



CODE	ART.	Size	A	B	Box info	
					Pcs per pack	Kg
10131015 001	CG-06 M	Mini	650	265	1	3.8
10131020 001	CG-06 P	Piccolo	900	390	1	5.2

Finishing: Galvanized / Zincato



## CG-65

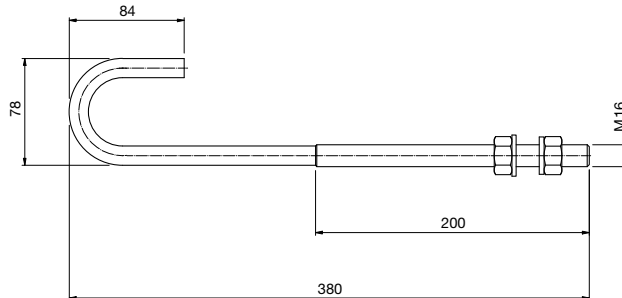
Threaded tie rods for Mini and Piccolo carriages, Bullet system

*Ancoranti per carrello Bullet Mini e Piccolo*  
*Tirants filetés pour chariots Mini et Piccolo, système Bullet*  
*Gewindestange für Mini und Piccolo Laufwagen, Bullet System*  
*Anclajes roscados por carros Mini y Piccolo, sistema Bullet*  
*Резьбовое анкерное крепление для тележек Mini и Piccolo, система Bullet*



CODE	ART.	Size	Box info	
			Pcs per pack	Kg
10130515 001	CG-65	M&P	6	0.75

Finishing: Galvanized / Zincato





# Bullet Compatible Aluminium Accessories

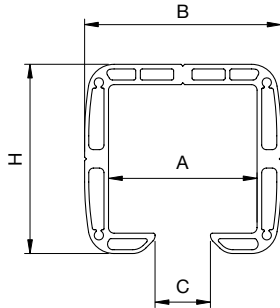
## CGA-345

Monorail in extruded aluminium for cantilever gates  
 Monorotaia in alluminio estruso per cancelli auto-portanti  
 Rail en aluminium extrudé pour portails autoportants  
 Einfachschiene aus fließgepresstem Aluminium für selbsttragende Tore  
 Monocaril de aluminio extruido para puertas autoportantes  
 Монорельс из экструдированного алюминия для самонесущих ворот



CODE	ART.	Size	Finishing	A	B	C	H	L	Box info	
									Pcs per pack	Kg
10208001	CGA-345M	Mini	Raw	61	83	23	79	3000	1	12.00
10208003	CGA-345M	Mini	Raw	61	83	23	79	6000	1	24.00
10208005	CGA-345P	Piccolo	Raw	80.5	106.5	30	102.5	3000	1	16.00
10208007	CGA-345P	Piccolo	Raw	80.5	106.5	30	102.5	6000	1	32.00

Finishing: Aluminium / Alluminio



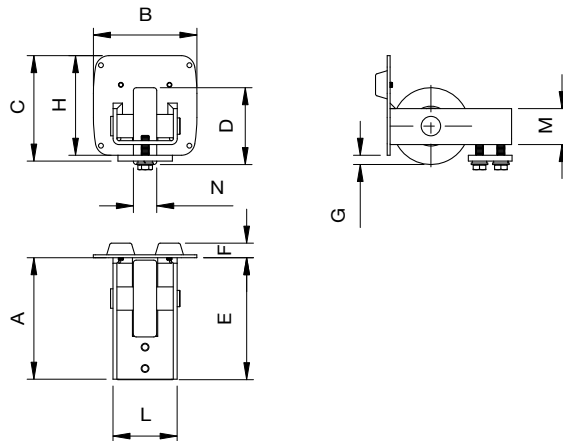
## CGA-347

Nylon end wheel for aluminium monorail  
 Ruota terminale in nylon per monorotaia in alluminio  
 Galet d'extrémité en nylon pour rail en aluminium  
 Nylon-Endrolle für Einfachschiene aus Aluminium  
 Rueda terminal de nylon para monocaril de aluminio  
 Концевое колесо из нейлона для алюминиевого монорельса



CODE	ART.	Size	A	B	C	D	E	F	G	H	L	M	N	Box info	
														Pcs per pack	Kg
10705200 001	CGA-347M	Mini	119	83	83	∅ 66	119	16	7	79	45	32	15	2	2.10
10705205 001	CGA-347P	Piccolo	140	106.5	118	∅ 79	125	15	9.6	102.5	66	37	26	2	3.4

Finishing: Aluminium / Alluminio



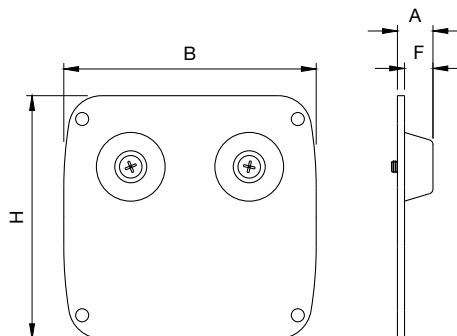
## CGA-20

End stopper for aluminium monorail  
 Terminale per monorotaia in alluminio  
 Embout d'extrémité pour rail en aluminium  
 Endpfropfen für Einfachschiene aus Aluminium  
 Terminal para monocaril de aluminio  
 Наконечник для алюминиевого монорельса



CODE	ART.	Size	A	B	F	H	Box info	
							Pcs per pack	Kg
10707001 001	CGA-20M	Mini	16	83	12	79	2	0.44
10707005 001	CGA-20P	Piccolo	15	106.5	12	102.5	2	0.60

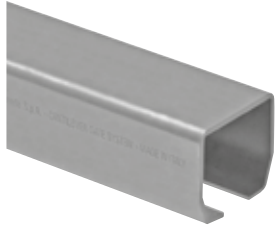
Finishing: Aluminium / Alluminio



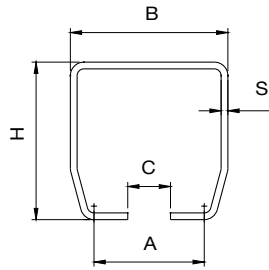
# Compatible Cantilever Accessories

## CGS-345

Monorail for cantilever gates  
 Monorotaia per cancelli auto-portanti  
 Rails pour portails autoportants  
 Einfachschiene für selbsttragende Tore  
 Monocarril para puertas autoportantes  
 Монорельс для самонесущих ворот



CODE	ART.	Size	Finishing	A	B	C	H	S	L	Box info	
										Pcs per pack	Kg
10207001	CGS-345M	Mini	Raw	48	68	23	68	3.5	3000	1	18.25
10207002	CGS-345M	Mini	Raw	48	68	23	68	3.5	6000	1	36.50
10207005	CGS-345P	Piccolo	Raw	66.5	100	33	89	5	3000	1	35.00
10207007	CGS-345P	Piccolo	Raw	66.5	100	33	89	5	6000	1	70.00
10207001 001	CGS-345M	Mini	Zinc	48	68	23	68	3.5	3000	1	18.25
10207002 001	CGS-345M	Mini	Zinc	48	68	23	68	3.5	6000	1	36.50
10207005 001	CGS-345P	Piccolo	Zinc	66.5	100	33	89	5	3000	1	35.00
10207007 001	CGS-345P	Piccolo	Zinc	66.5	100	33	89	5	6000	1	70.00



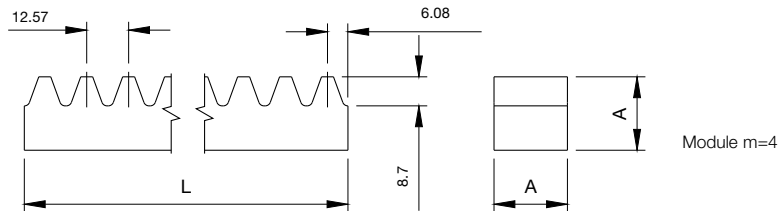
## 260

Square rack  
 Cremagliera quadra  
 Crémaillère carrée  
 Viereckige Zahnstange  
 Cremallera cuadrada  
 Зубчатая рейка квадратная



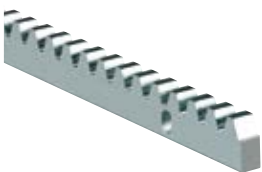
CODE	ART.	Size	A	L	Box info	
					Pcs per pack	Kg
11400505 001	260-22x22	L=1000	22	1000	1	3.10

Finishing: Galvanized / Zincato



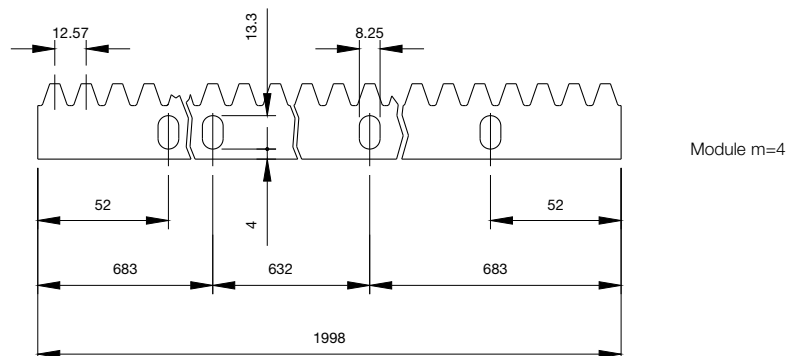
## 262

Rectangular rack 30x12 with holes  
 Cremagliera Rettangolare 30x12 con fori  
 Crémaillère rectangulaire 30x12 avec trous  
 Rechteckige Zahnstange 30x12 mit Bohrungen  
 Cremallera Rectangular 30x12 con agujeros  
 Зубчатая рейка прямоугольная 30x12 с отверстиями



CODE	ART.	Size	L	Box info	
				Pcs per pack	Kg
11401005 001	262-30x12	L=1000	1000	1	2.40

Finishing: Galvanized / Zincato



# 261

Nylon-rack with steel body

*Cremagliera in nylon e corpo in acciaio*

*Crémaillère en nylon avec corps en acier*

*Nylon-Zahnstange mit Stahlkörper*

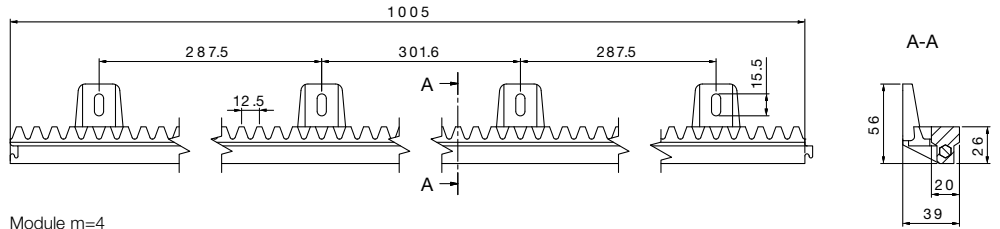
*Cremallera de nylon y cuerpo de acero*

*Зубчатая рейка из нейлона и корпус из нержавеющей стали*



CODE	ART.	Size	Box info	
			Pcs per pack	Kg
11400102	261-26x20	L=1000	1	1.10

Finishing: Galvanized / Zincato



Module m=4

# 264

Support for rectangular rack to be welded

*Attacco a saldare per cremagliera*

*rettangolare*

*Attache entretoise pour crémaillère rectangulaire*

*Distanzstück für rechteckige Zahnstange zum Schweißen*

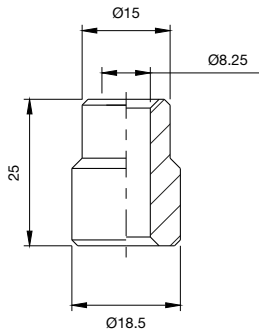
*Fijación para soldar para cremallera rectangular*

*Привариваемое соединение для прямоугольной зубчатой рейки*



CODE	ART.	Box info	
		Pcs per pack	Kg
11401505 001	264	30	1.50

Finishing: Galvanized / Zincato



# 266

Alloy support for rectangular rack

*Attacco in zama per cremagliera rettangolare*

*Attache entretoise en zamak pour crémaillère rectangulaire*

*Zamak-Distanzstück für rechteckige Zahnstange*

*Fijación de zamak para cremallera rectangular*

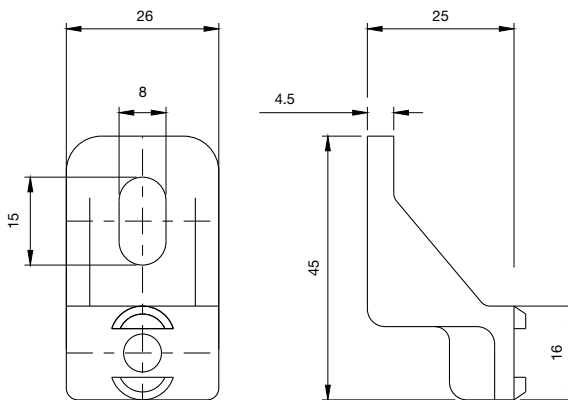
*Соединение из сплава зата для прямоугольной*

*зубчатой рейки*



CODE	ART.	Box info	
		Pcs per pack	Kg
11402505 001	266	30	2.10

Finishing: Galvanized / Zincato



# Compatible Cantilever Accessories

## CGS-346

Bottom end cup to be fixed

*Incontro inferiore a fissare*

*Butée inférieure à fixer*

*Unterauflageschuh zum Aufschrauben*

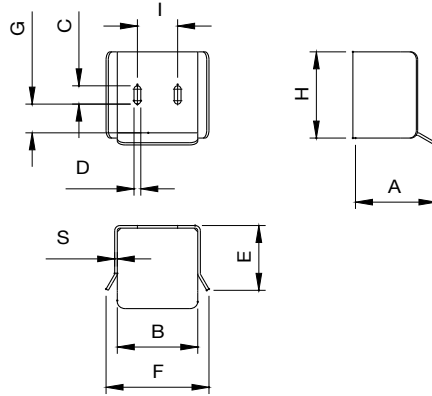
*Encuentro inferior para fijar*

*Прикрепляемый нижний упор*



CODE	ART.	Size	A	B	C	D	E	F	G	H	I	S	Box info	
													Pcs per pack	Kg
10705501 001	CGS-346M	Mini	104	78	25	9	75	114	25	91	38	4	2	2.3
10705505 001	CGS-346P	Piccolo	119	112	30	11	84	154	33	112	50	4	2	3.6

Finishing: Galvanized / Zincato



## CG-15

Adjustable wall mounting angle racket for end cup

*Staffa angolare regolabile fissaggio a*

*muro per incontro*

*Platine angulaire réglable fixation au mur pour butée*

*Verstellbare Eckmuerhalterung für Auflageschuh*

*Placa angular regulable fijación a la pared para*

*encuentro*

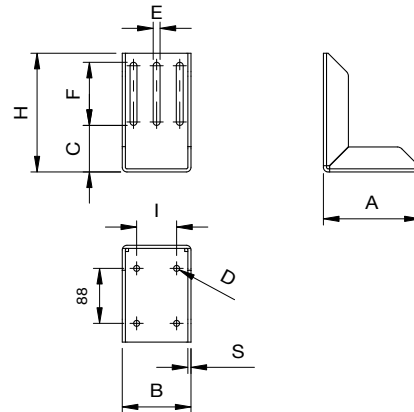
*Угловой регулируемый кронштейн крепления*

*к стене для упора*



CODE	ART.	A	B	C	D	E	F	H	I	S	Box info	
											Pcs per pack	Kg
10708001 001	CG-15M	155	110	65	Ø 9.5	9	78	165	64	5	1	2.60
10708005 001	CG-15P	155	110	80	Ø 9.5	11	90	190	64	5	1	2.90

Finishing: Galvanized / Zincato



## CGS-347

End wheel for monorail

*Ruota terminale per monorotaia*

*Galet d'extrémité pour rail*

*Endrad für Einfachschiene*

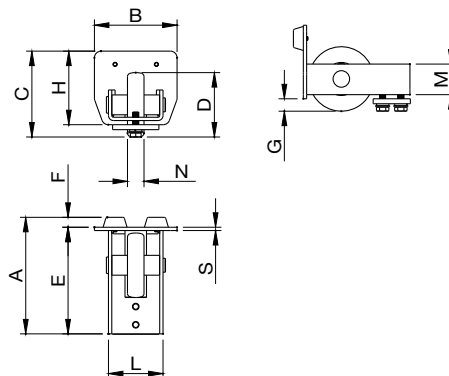
*Rueda terminal para monocarril*

*Концевое колесо монорельса*



CODE	ART.	A	B	C	D	E	F	G	H	L	M	N	S	Box info	
														Pcs per pack	Kg
10705001 001	CGS-347M	135	68	82.5	Ø 68	123	12	14.5	68	45	32	15	4	2	2.00
10705005 001	CGS-347P	141	100	104	Ø 78	129	12	15	89	66	37	20	4	2	3.40

Finishing: Galvanized / Zincato



# CG-20

End stopper without wheel for monorail

*Terminale senza ruota per monorotaia*

*Embout d'extrémité sans galet pour rail*

*Endpfropfen für Einfachschiene ohne Rad*

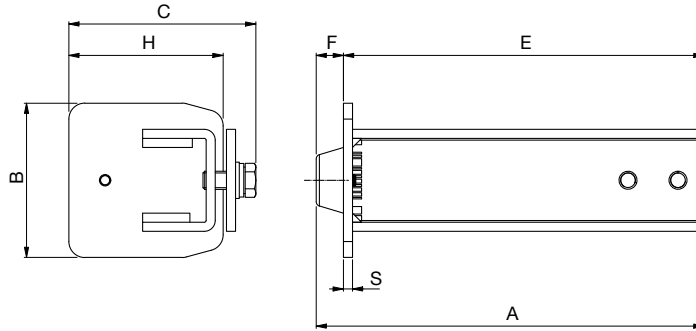
*Terminal sin rueda para monocarril*

*Наконечник без колеса для монорельса*



CODE	ART.	Size	A	B	C	E	F	H	S	Box info	
										Pcs per pack	Kg
10707101 001	CG-20M	Mini	68	68	78	155	12	68	4	2	1.20
10707105 001	CG-20P	Piccolo	100	100	105	155	12	89	4	2	1.80

Finishing: Galvanized / Zincato



# CG-21

End stopper without wheel for monorail

*Terminale senza ruota per monorotaia*

*Embout d'extrémité sans galet pour rail*

*Endpfropfen für Einfachschiene ohne Rad*

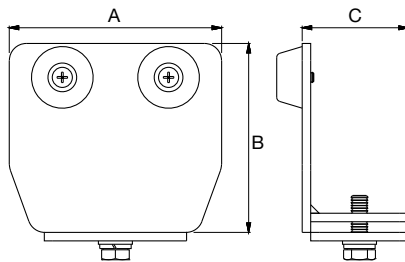
*Terminal sin rueda para monocarril*

*Наконечник без колеса для монорельса*



CODE	ART.	Size	A	B	C	Box info	
						Pcs per pack	Kg
10707115 001	CG-21M	Mini	68	68	49	4	1.30
10707120 001	CG-21P	Piccolo	100	89	50	4	1.70

Finishing: Galvanized / Zincato



# CG-40

Tension bar for gate regulation

*Tirante in acciaio zincato per regolazioni*

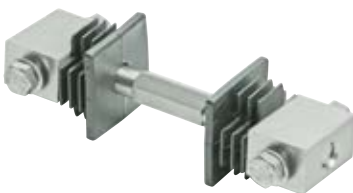
*cancelli*

*Tirants pour réglage portails*

*Ankerbolzen zur Torregulierung*

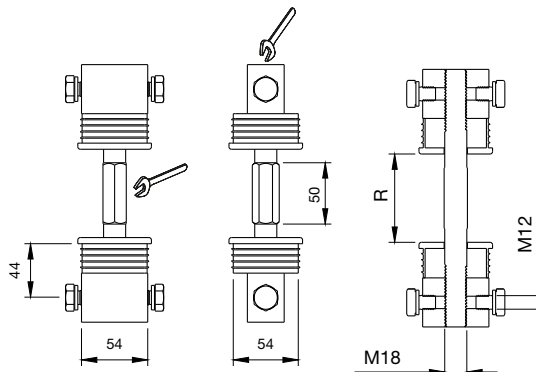
*Tensores de acero galvanizado para regulaciones puertas*

*Тяга из оцинкованной стали для регулирования ворот*



CODE	ART.	R		Box info	
				Pcs per pack	Kg
10131400 001	CG-40	50-100	19	1	1.30

Finishing: Galvanized / Zincato





# Compatible Cantilever Accessories

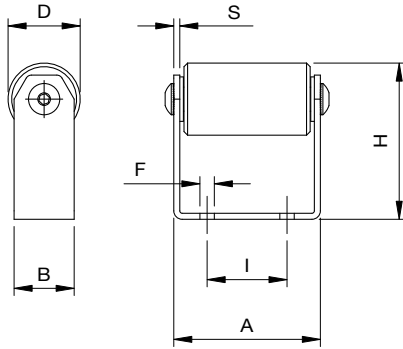
## CG-25

Lower end cup with nylon roller  
*Incontro inferiore con rullo in nylon*  
*Butée inférieure avec rouleau en nylon*  
*Unterauflegesohuh mit Nylonrolle*  
*Encuentro inferior con rodillo de nylon*  
*Нижний упор с нейлоновый роликом*



CODE	ART.	Size	A	B	D	F	H	I	S	Box info	
										Pcs per pack	Kg
10707501 001	CG-25M	Mini	80	40	∅ 50	8.5	115	45	5	2	1.30
10707505 001	CG-25P	Piccolo	122	50	∅ 60	11	130	75	5	2	2.60

Finishing: Galvanized / Zincato



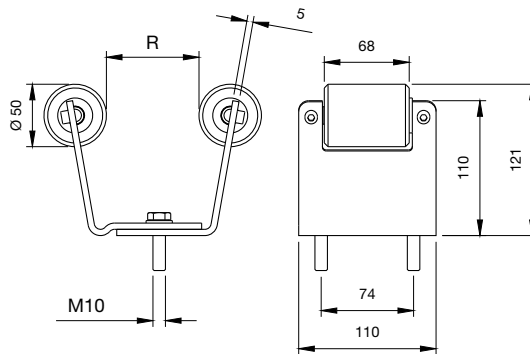
## CG-30

Adjustable end cup to be fixed for gates  
*Incontro per cancelli regolabile a fissare*  
*Butée réglable à fixer pour portails*  
*Verstellbarer Auflegesohuh zum Aufschrauben für Tore*  
*Encuentro para puertas regulable para fijar*  
*Прикрепляемый упор для ворот регулируемый*



CODE	ART.	Size	R	Box info	
				Pcs per pack	Kg
10707601 001	CG-30M	Mini	53-76	1	1.50
10707605 001	CG-30P	Piccolo	86-114	1	1.90

Finishing: Galvanized / Zincato



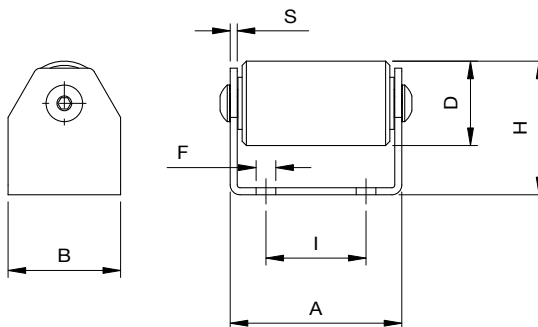
## CG-35

Intermediate support with nylon roller  
*Supporto intermedio di sostegno con rullo in nylon*  
*Support intermédiaire de soutien avec rouleau en nylon*  
*Mittlerer Stütze für selbsttragende Tore*  
*Soporte intermedio de sostén con rodillo de nylon*  
*Промежуточная опора с нейлоновый роликом*



CODE	ART.	A	B	D	F	H	I	S	Box info	
									Pcs per pack	Kg
10707705 001	CG-35P	122	80	∅ 60	17	95	70	5	1	1.40

Finishing: Galvanized / Zincato



# CG-251

Adjustable gate guide plate to be fixed with long wing

*Piastra guida cancello regolabile con ala lunga a fissare*

*Plaque guide portail réglable à fixer avec aile longue*

*Verstellbare Torführungsplatte mit langem Flügel zum Aufschrauben*

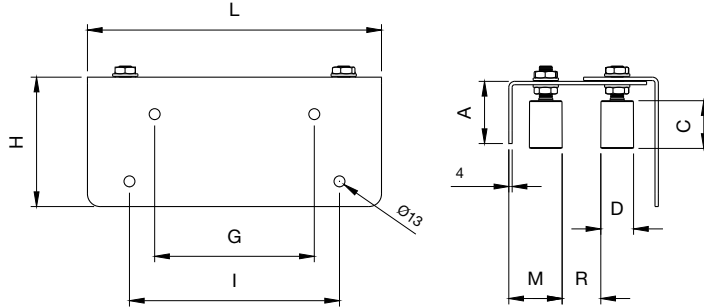
*Placa de guía de la puerta regulable con ala larga para fijar*

*Пластина регулируемая направляющая ворот с длинной приклепываемой полкой*



CODE	ART.	A	C	D	G	H	I	L	M	R	Box info	
											Pcs per pack	Kg
11310005 001	CG-251	74	58	Ø40	190	154	230	350	44-88	70-110	1	6.70

Finishing: Galvanized / Zincato



# 232

Nylon roller with accident prevention

*Oliva in nylon con protezione antinfortunistica*

*Rouleau en nylon pour la prévention des accidents*

*Nylon-Führungsrolle für die Unfallverhütung*

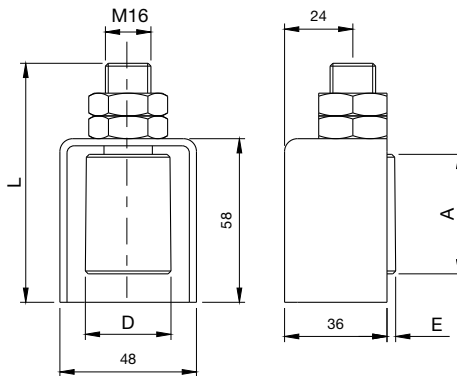
*Rodillo de nylon con protección*

*Нейлоновый наконечник с защитой от несчастных случаев*



CODE	ART.	A	B	D	I	H	Box info	
							Pcs per pack	Kg
11302210 001	232-30	40	Ø30	3	84	24	20	4.40
11302215 001	232-40	58	Ø39	7.5	98	24	20	5.90

Finishing: Galvanized / Zincato



# 252

Double adjustment plate to be screwed for gates with 2 columns

*Piastra doppia regolazione a fissare per cancelli con doppia colonna*

*Platine double réglage à visser pour portails avec 2 colonnes*

*Platte zum Anschrauben mit Doppelverstellung für Tore mit zwei Pfeiler*

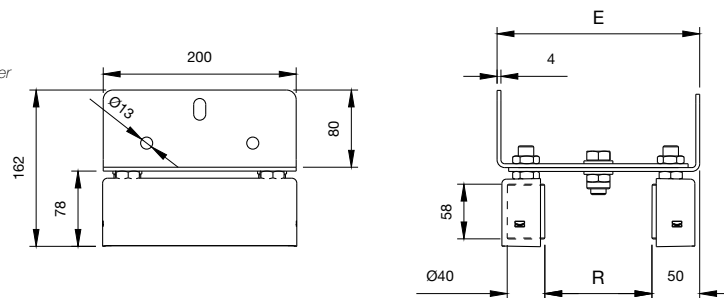
*Placa doble regulación para fijar para puertas con dos columnas*

*Приклепываемая пластина с двойным регулированием для ворот с двумя стойками*



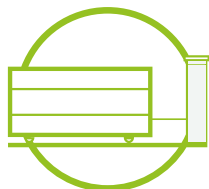
CODE	ART.	Size	E	R	Box info	
					Pcs per pack	Kg
11306205 001	252-200	Ø 40	210-360	0-300	1	4.1

Finishing: Galvanized / Zincato



# Compatible Comunello Automations

A complete range of actuators for sliding gates in 24 Vdc, 230 Vac and 380 Vac versions: robust, reliable and durable, providing very high levels of security.



Sliding gates - *Cancelli scorrevoli*

The new evolution of our actuators is fruit of the Comunello R&D department. Mechanics combined with high performance electronic is guarantee of high quality automation very easy to install.

*Una gamma completa di attuatori per cancelli scorrevoli nelle versioni 24 Vdc, 230 Vac e 380 Vac: robusti, affidabili e resistenti, in grado di garantire elevatissimi livelli di sicurezza.*



Scan and discover more



*La nuova evoluzione dei nostri attuatori è frutto del reparto R&D Comunello. Un'automazione di alta qualità molto facile da installare è il risultato della combinazione tra una meccanica di eccellenza e un'elettronica ad alte prestazioni.*





## FORT 400-1500

Electromechanical actuators for residential and industrial sliding gates  
*Attuatori elettromeccanici per cancelli scorrevoli ad uso residenziale e industriale*

**FORT 400**  
≤ 400 Kg

**FORT 500**  
≤ 500 Kg

**FORT 600**  
≤ 600 Kg

**FORT 800**  
≤ 800 Kg

**FORT 1000**  
≤ 1000 Kg

**FORT 1500**  
≤ 1500 Kg



## FORT 2500-3500

Electromechanical actuators for industrial sliding gates  
*Attuatori elettromeccanici per cancelli scorrevoli ad uso industriale*

**FORT 2500**  
≤ 2500 Kg

**FORT 3500**  
≤ 3500 Kg

# Gate innovation made in Comunello

