

IXI
SWIFT

NEW RANGE OF
FLASHING LIGHT

Life
made
easy





xi

Designed by Patrick Caseley

The first
truly original
signal light



Swift

Designed by Patrick Caseley

A new classic,
timeless design
timeless installation



Accessories

New generation led flashing light, 24VDC

Simplicity and ease of installation:

The flashing light can be installed both on the wall and horizontally. Ample space dedicated to wiring.

Design:

New captivating design: Ixi stands out for its ultra-original and futuristic design. Its perfect geometry diffuses light in an excellent way.

Adjustment:

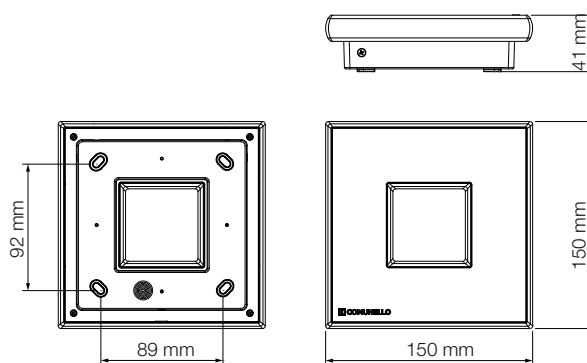
The slotted holes allow adjustment of the position even after installation

Durability:

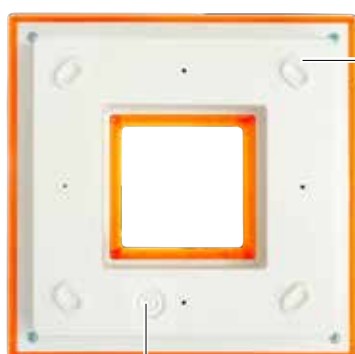
The board is protected by a painting against possible condensation or contact with insects. External stainless steel screws.

Protection:

The internal board is completely isolated both from the inside and outside of the flashing light.



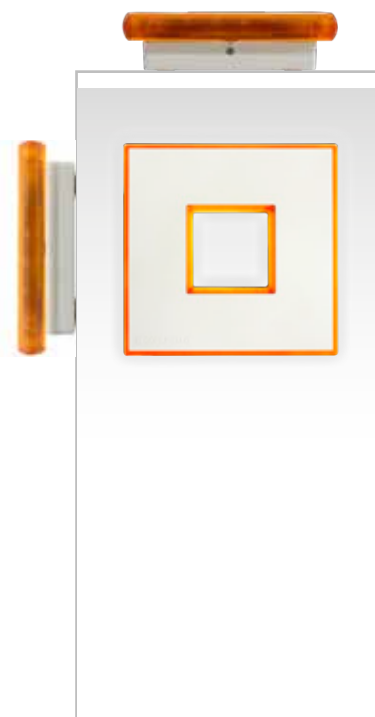
IXI	GIILEDSTLYB00	Led flashing light 24 VDC	24V	IP 44	1	0,35 Kg
-----	---------------	---------------------------	-----	-------	---	---------



The 4 slotted holes allow adjustment of the position even after installation

Cable passage arranged in the lower part, not in view

The flashing light can be installed both on the wall and horizontally.



New generation led flashing light, 24VDC / 230VAC

Simplicity and ease of installation:

Extremely simple to install thanks to the easy access to the connection area, it can be powered at both 24Vdc and 230Vac. The flashing light can be installed both on the wall and horizontally.

Design:

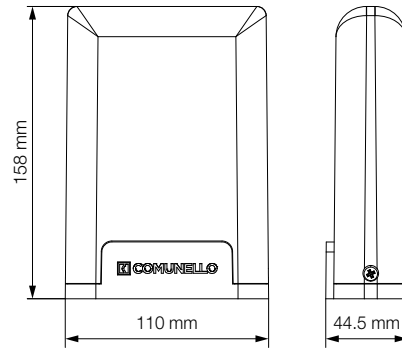
New captivating design: The Swift range is inspired by the concept of pure and discreet lines of the classic flashing warning lights.

Durability:

The board is protected by a painting against possible condensation or contact with insects. External stainless steel screws.

Bus Technology:

The bus technology allows you to name and manage the single flashing light.



◆	0101	☰	⚡	IP	📦	⚖️
SWIFT	GSWIFTSTLYB00A	Led flashing light 24 VDC / 230VAC	24V / 230V	IP 54	1	0,25 Kg

Integrated antenna



Card power supply both 24V and 230V

The flashing light can be installed both on the wall and horizontally, without need of additional brackets.



Cable passage arranged both at the bottom and at the rear of the flashing light.

OFFICIAL DEALER:



AUTOMATION FOR GATES, DOORS AND BARRIERS

FRATELLI COMUNELLO S.P.A.

HEADQUARTERS

Via Zappalè 33
36027 Sarmeola (VI) Italy
Tel. +39-0445-58511 Fax +39-0445-33417
info@comunello.it www.comunello.com

REGISTERED OFFICE

Via Cassola, 64 - P. 79
36027 Sarmeola (VI) Italy
Tel. +39-0445-58511 Fax +39-0445-33417
info@comunello.it www.comunello.com