

## DART

COMPLETE RANGE OF NEW  
GENERATION SECURITY  
ACCESSORIES

Life  
made  
easy



# NEW **DART**

---

Protection

Design

Adjustment

Simplicity

Reliability

Duration

Range

Technology



 **COMUNELLO**

# DART

## New generation outdoor photocells



### Protection:

Electronics protected by a preassembled gasket on a dedicated housing.

### Simplicity and ease of installation:

Cable passage arranged both at the bottom and at the rear of the photocell. Large space dedicated to wiring.

### Design:

New attractive design with no visible screws

### Adjustment:

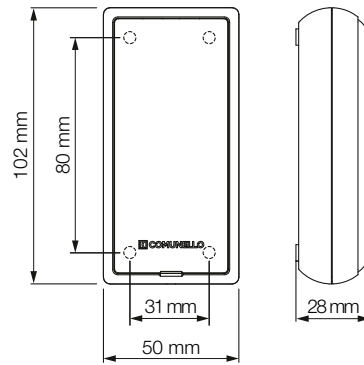
The slotted holes allow adjustment of the position even after installation

### Duration:

High quality plastic material with anti-UV additives and embossed painting

### Sync Version:

The DART SYNC version allows automatic synchronization between transmitter and receiver to avoid interference in systems with multiple pairs of photocells.



				IP	Range		
<b>DART</b>	GDARTSTDN0B00A	Pair of photocells with range up to 15 m	12V / 24V	IP 54	15m	1 Kit	0,15 Kg
<b>DART SYNC</b>	GDARTSTDN1B00	Pair of photocells, synchronized version with range up to 20 m	12V / 24V	IP 54	20m	1 Kit	0,15 Kg
<b>DART BUS</b>	GG1DARTSTN0B00A	Pair of photocells, synchronized version with range up to 20 m <b>One Technology</b>	24V	IP 54	15m	1 Kit	0,15 Kg

Fixing with 4 screws

A pre-assembled gasket protects the electronics from any entry of insects or water. This gasket also separates the card from the 4 fixing screws and the cable passage.



Large space dedicated to wiring

Slotted pre-holes allow adjustment of the position even after installation



Cable passage arranged both at the bottom and at the rear of the photocell.

## New generation outdoor photocells, slim version



### Protection:

Electronics protected by a preassembled gasket on a dedicated housing.

### Simplicity and ease of installation:

Cable passage arranged both at the bottom and at the rear of the photocell. Large space dedicated to wiring.

### Design:

New attractive design with no visible screws

### Adjustment:

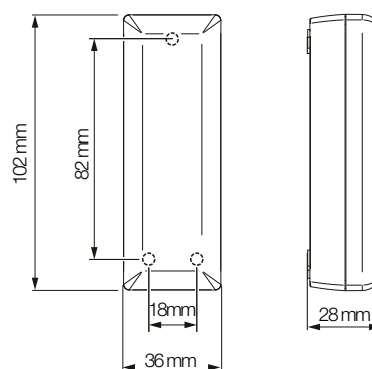
The slotted holes allow adjustment of the position even after installation

### Duration:

High quality plastic material with anti-UV additives and embossed painting

### Sync Version:

The DART SYNC version allows automatic synchronization between transmitter and receiver to avoid interference in systems with multiple pairs of photocells.



				IP	Range		
<b>DART SLIM</b>	GDARTSLMN0B00A	Pair of photocells, slim version, with a range of up to 15 m	12V / 24V	IP 54	15m	1 Kit	0,12 Kg
<b>DART SLIM SYNC</b>	GDARTSLMN1B00A	Pair of slim photocells, slim and synchronized version, with range up to 20 m	12V / 24V	IP 54	20m	1 Kit	0,12 Kg
<b>DART SLIM BUS</b>	GG1DARTSTN0B00A	Pair of slim photocells, slim and synchronized version, with range up to 20 m <b>One Technology</b>	24V	IP 54	15m	1 Kit	0,12 Kg

A pre-assembled gasket protects the electronics from a possible entry of insects or water.



Large space dedicated to wiring



The slotted holes allow adjustment of the position even after installation

Cable passage arranged both at the bottom and at the rear of the photocell.

# DART ADJUSTABLE

**New generation outdoor adjustable photocells, painted finish**



**Protection:**

Electronics protected by a preassembled gasket on a dedicated housing.

**Simplicity and ease of installation:**

Cable passage arranged both at the bottom and at the rear of the photocell. Large space dedicated to wiring.

**Design:**

New attractive design with no visible screws

**Adjustment:**

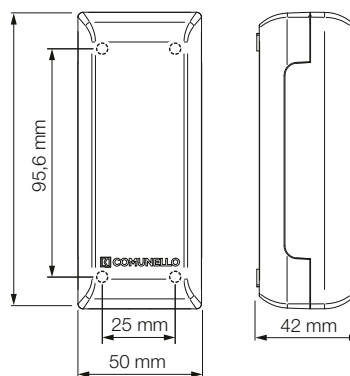
Transmitter and receiver can rotate 180 ° on the vertical axis and 40 ° on the horizontal axis. The slotted holes allow adjustment of the position even after installation

**Duration:**

High quality plastic material with anti-UV additives and embossed painting

**Sync Version:**

The DART SYNC version allows automatic synchronization between transmitter and receiver to avoid interference in systems with multiple pairs of photocells.



				IP	Range		
<b>DART ADJUSTABLE</b>	GDARTADJN0B00A	Pair of adjustable photocells with range up to 15 m	12V / 24V	IP 54	15m	1 Kit	0,25 Kg
<b>DART ADJUSTABLE SYNC</b>	GDARTADJN1B00A	Pair of adjustable photocells, synchronized version with range up to 20 m	12V / 24V	IP 54	20m	1 Kit	0,25 Kg
<b>DART ADJUSTABLE BUS</b>	G1DARTADN0B00A	Pair of adjustable photocells, synchronized version with range up to 20 m <b>One Technology</b>	24V	IP 54	15m	1 Kit	0,25 Kg

A pre-assembled gasket protects the electronics from any entry of insects or water.

The 4 slotted holes allow adjustment of the position even after installation

Large space dedicated to wiring

Transmitter and receiver can rotate 180 ° on the vertical axis and 40 ° on the horizontal axis



Cable passage arranged both at the bottom and at the rear of the photocell.

# DART ADJUSTABLE BATTERY

**New generation outdoor battery-powered adjustable photocells, painted finish**



**Protection:**

Electronics protected by a preassembled gasket on a dedicated housing.

**Simplicity and ease of installation:**

Cable passage arranged both at the bottom and at the rear of the photocell. Large space dedicated to wiring.

**Design:**

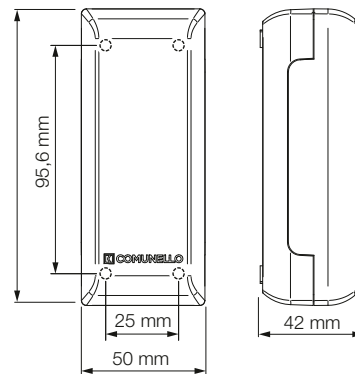
New attractive design with no visible screws

**Adjustment:**

Transmitter and receiver can rotate 180 ° on the vertical axis and 20 ° on the horizontal axis. The slotted holes allow adjustment of the position even after installation

**Duration:**

High quality plastic material with anti-UV additives and embossed painting



				IP	Range		
<b>DART BATTERY</b>	GDARTBTTN0B00A	Pair of battery-operated adjustable photocells with capacity up to 18 m	12V / 24V	IP 54	18m	1 Kit	0,30 kg

A pre-assembled gasket protects the electronics from any entry of insects or water.

The 4 slotted holes allow adjustment of the position even after installation

Large space dedicated to wiring

Transmitter and receiver can rotate 180 ° on the vertical axis and 40 ° on the horizontal axis

Cable passage arranged both at the bottom and at the rear of the photocell.



# DART ADJUSTABLE INDUSTRIAL

Adjustable photocells for industrial gates with a range of up to 30 m

**Protection:**

Electronics protected by a preassembled gasket on a dedicated housing.

**Simplicity and ease of installation:**

Cable passage arranged both at the bottom and at the rear of the photocell. Large space dedicated to wiring.

**Design:**

New attractive design with no visible screws

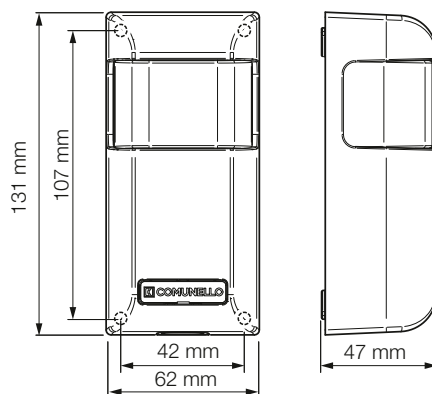
**Adjustment:**

Transmitter and receiver can rotate 180° on the vertical axis and 20° on the horizontal axis

The slotted holes allow adjustment of the position even after installation

**Anti-vandalism:**

The structure of the photocell completely in die-cast aluminum guarantees high strength and resistance.



<b>DART INDUSTRIAL</b>	GDARTINDN0B00	Pair of adjustable photocells with range up to 30 m	12V / 24V	IP 55	30m	1 Kit	0,60 kg

A pre-assembled gasket protects the electronics from any entry of insects or water.

Structure completely in die-cast aluminum

The 4 slotted holes allow adjustment of the position even after installation

Large space dedicated to wiring

Transmitter and receiver can rotate 180° on the vertical axis and 20° on the horizontal axis

Cable passage arranged both at the bottom and at the rear of the photocell.



# DART INSERT

## New generation recessed wall photocells

**Protection:**

Electronics protected by a preassembled gasket on a dedicated housing.

**Simplicity and ease of installation:**

Cable passage arranged both at the bottom and at the rear of the photocell. Large space dedicated to wiring.

**Design:**

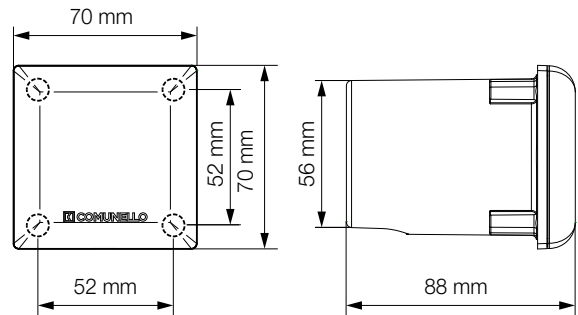
New attractive design with no visible screws

**Adjustment:**

The slotted holes allow adjustment of the position even after installation

**Duration:**

High quality plastic material with anti-UV additives and embossed painting



				IP	Range		
<b>DART INSERT</b>	GDARTINSN0B00	Pair of recessed wall photocells, adapter bowl included	12V / 24V	IP 54	15m	1 Kit	0,20 kg
<b>DART INSERT BUS</b>	G1DARTISN0B00A	Pair of recessed wall photocells, adapter bowl included <b>One Technology</b>	24V	IP 54	15m	1 Kit	0,20 kg

	<b>G-BOX</b>	GBOXUNSTD0B00	Adapter bowl DART INSERT / DART INSERT BUS	20	0,025 kg

Slotted pre-holes allow adjustment of the position even after installation

A pre-assembled gasket protects the electronics from any entry of insects or water. This gasket also separates the card from the 4 fixing screws and the cable passage.



Large space dedicated to wiring

# DART COVER



## DART COVER

Vandalism protection in die-cast aluminum for:

- DART
- DART SYNC
- DART BUS

				
<b>COVER VANDAL PROOF</b>	GCVRDTSTD0S00	Anti-vandalism DART photocell covers	1 Kit	0,15 Kg



## DART COVER SLIM

Vandalism protection in die-cast aluminum for:

- DART SLIM
- DART SLIM SYNC
- DART SLIM BUS


				
<b>COVER VANDAL PROOF SLIM</b>	GCVRDSSTD0S00	Anti-vandalism DART SLIM photocell covers	1 Kit	0,15 Kg



# COLUMNS

Compatible with: DART, DART SYNC, TACT, TACT RADIO, TACT CARD, INDEX, INDEX EU

Compatible with DART SLIM, DART SLIM SYNC



	
<b>MAST 50</b>	GMAST005NOG00A
<b>MAST 100</b>	GMAST010NOG00A
<b>MAST 100 TWIN</b>	GMASTT10NOG00A

	
<b>MAST SLIM 50</b>	GMASTS05NOG00A
<b>MAST SLIM 100</b>	GMASTS10NOG00A

OFFICIAL DEALER:



AUTOMATION FOR GATES, DOORS AND BARRIERS

FRATELLI COMUNELLO S.P.A.

HEADQUARTERS

Via Zarpellon, 33  
36027 San Giuseppe di Cassola, Vicenza, Italy  
Tel. +39 0424 585111 Fax +39 0424 533417  
info@comunello.it www.comunello.com

REGISTERED OFFICE

Via Cassola,64 - C.P.79  
36027 Rosà, Vicenza, Italy  
Tel. +39 0424 585111 Fax +39 0424 533417  
info@comunello.it www.comunello.com