

Life
made
easy

LIMIT 500

ELECTROMECHANICAL BARRIER
FOR RESIDENTIAL, INDUSTRIAL
OR PUBLIC USE



LIMIT 500

up to 5m beam

Possibility to install a LED signal light on board



Possibility to install, along the beam length, beam strip LED for crossing-light version or with white light

Robust ambidextrous beam support in die-cast aluminium



Manual key and fold-away emergency release lever



Robust steel frame with protective treatment



Micro-switch and mechanical stop adjustment by one screw

Easily accessible built-in control board for appropriate programming

Spherical self-lubricating eyelet-fixed spring for smoother, wear reducing movement

A single spring is provided which, depending on the length of the beam, is fixed to one of the holes in the spring tensing arm

Also available in grey RAL 7011 version

Depending on the length of the beam and relative accessories, the AC-541 spring must be fixed to one of the holes of the spring-tightening arm according to the table and diagram below.

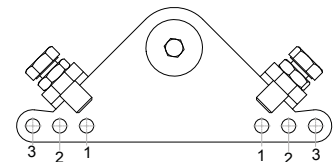
SPRING AC-541



SPRING POSITIONING AC-541

ROD LENGTH	2 m	3 m	4 m	5 m
BEAM	1	1/2 *	1/2/3 *	2/3 *
BEAM WITH PROTECTIVE RUBBER AND LED STRIP LED	1	1/2 *	2/3 *	3
BEAM WITH PROTECTIVE RUBBER, STRIP LED AND MOBILE SUPPORT	1	1/2 *	3	3
BEAM WITH PROTECTIVE RUBBER, STRIP LED AND ALUMINUM SKIRT	-	2	3	-
BEAM WITH PROTECTIVE RUBBER, STRIP LED AND ALUMINUM SKIRT AND MOBILE SUPPORT	-	3	3	-

SPRING-TIGHTENING ARM



* The SPRING can be fixed in the indicated holes with adequate adjustment for a correct balance of the rod. With the barrier unlocked, the rod must remain in balance at 45°

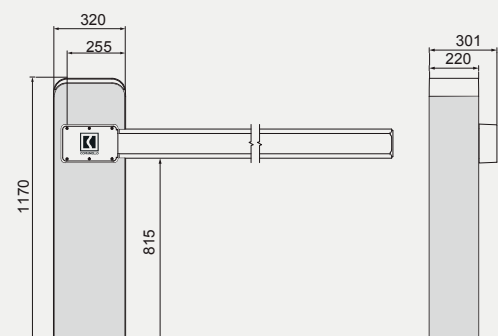


Every single product is duly tested at the end of each assembly line

TECHNICAL FEATURES

	LIMIT 500 24V
Power supply	230 VAC
Motor power supply	24 VDC
Power consumption	150 W
Current input	6,2 A
Torque	300 Nm
Duty cycle	Intensive use
Protection rating (IP)	IP44
Insulation class	2
Working temperature	-20°C / +50°C

DIMENSIONS (mm)



For beams up to 5 m in length



For beams up to 10 m in length (5+5m)





OFFICIAL DEALER:

 **COMUNELLO**
AUTOMATION

AUTOMATION FOR GATES, DOORS AND BARRIERS

FRATELLI COMUNELLO S.P.A.

HEADQUARTERS

Via Zarpellon, 33

36027 San Giuseppe di Cassola, Vicenza, Italy

Tel. +39 0424 585111 Fax +39 0424 533417

info@comunello.it www.comunello.com

REGISTERED OFFICE

Via Cassola,64 - C.P.79

36027 Rosà, Vicenza, Italy

Tel. +39 0424 585111 Fax +39 0424 533417

info@comunello.it www.comunello.com