



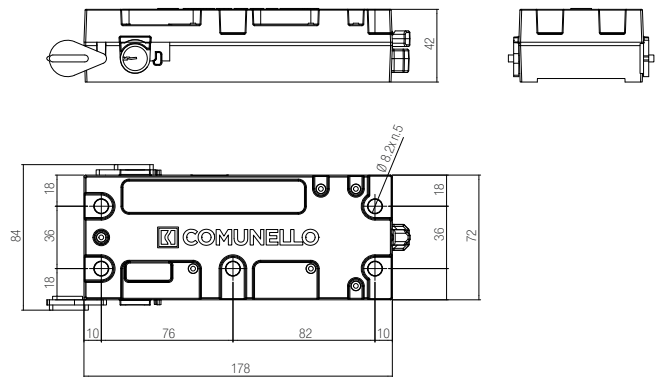
AC 150

Unlocking system with key



CODE	ARTICLE	PACKAGE	WEIGHT
GEE001SBNOG00	AC 150	1 pcs.	0,55 kg

DIMENSIONS



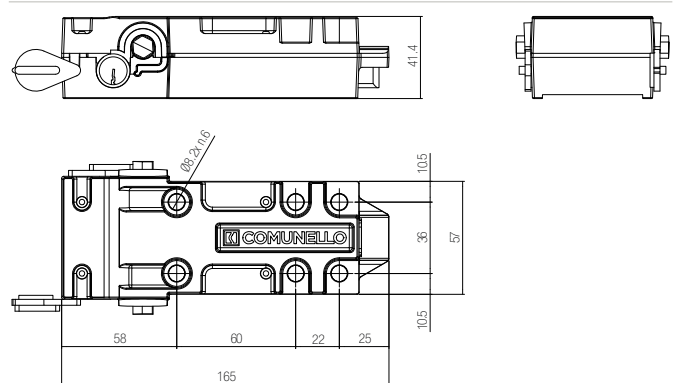
AC 160

Unlocking system with key and leverage



CODE	ARTICLE	PACKAGE	WEIGHT
GEE002SBNOG00	AC 160	1 pcs.	0,65 kg

DIMENSIONS



AC 170

Unlocking system with leverage



CODE	ARTICLE	PACKAGE	WEIGHT
GEE003SBNOG00	AC 170	1 pcs.	0,90 kg

DIMENSIONS

