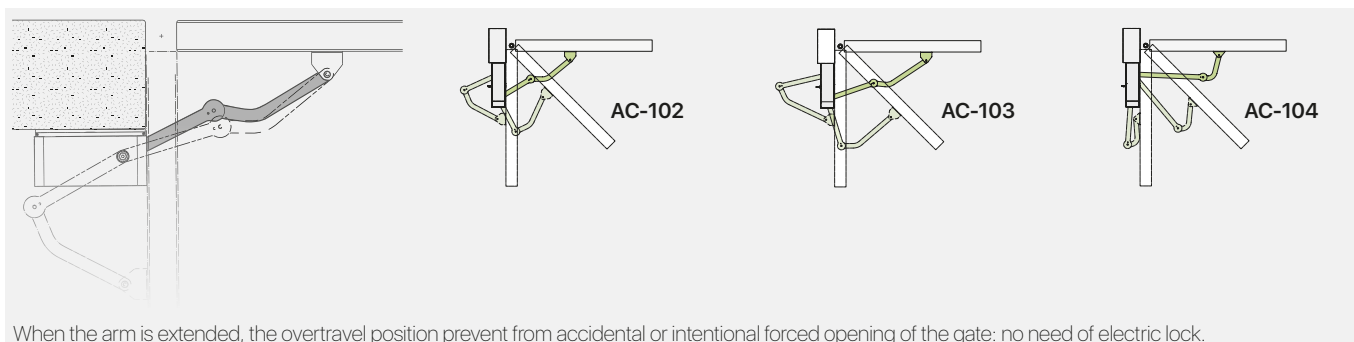


# CONDOR Accessories



		<b>AC-101</b>	Articulated arm for Condor 220/350, L=408 mm + 350mm	GCR004BAN0G00	1	2,9 kg
		<b>AC-108</b>	Slide arm for Condor 220/350, L=652,5 mm	GCR008BAN0B00	1	5,1 kg
		<b>AC-110</b>	Key operated emergency release	GCR001SCN0G00	1	1,2 kg
		<b>AC-100</b>	Ambidextrous articulated arm for Condor 500, L=408 mm + 350mm	GCR001BAN0G00	1	2,9 kg
		<b>AC-102</b>	Locking arm for Condor 500/500S, L=385 mm + 330mm	GCR001BAN0B00	1	3,2 kg
		<b>AC-103</b>	Locking arm for Condor 500/500S - L=503 mm + 430mm	GCR002BAN0B00	1	3,7 kg
		<b>AC-104</b>	Locking arm for Condor 500/500S - L=238 mm + 620mm	GCR003BAN0B00	1	4,1 kg
		<b>AC-110</b>	Key operated emergency release	GCR001SCN0G00	1	1,2 kg



When the arm is extended, the overtravel position prevent from accidental or intentional forced opening of the gate: no need of electric lock.