

TACT INDEX

ACTUATOR FOR
SLIDING GATES
VERSIONS 230V AND 24V

Life
made
easy



NEW TACT

Complete range of New generation security accessories

Protection

Design

Comfort

Simplicity

Reliability

Lighting

Duration

Technology



 **COMUNELLO**

TACT

Digital keyboard selector in die-cast aluminum, up to 250 codes storable



Protection:

Electronics protected by a preassembled gasket on a dedicated housing.

Comfort:

Keys with backlit numbers clearly visible in the dark.

Simplicity and ease of installation:

Cable passage arranged both at the bottom and at the rear of the keyboard. Large space dedicated to wiring.

Design:

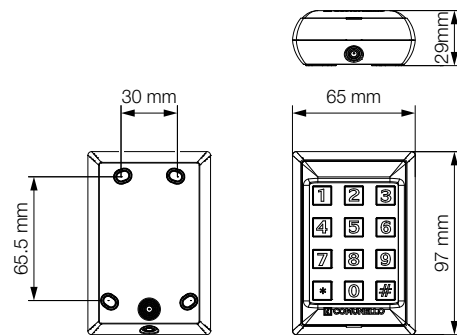
New attractive design with no visible screws

Adjustment:

The slotted holes allow adjustment of the position even after installation

Durability:

Structure completely in die-cast aluminum



◆	0101	☰	⚡	IP	📦	⚖️
TACT	GTACTSTDN0B00A	Digital keyboard selector, in aluminum (working via TACT DEC)	24 VDC/VAC	54	1	0,35 Kg

A pre-assembled gasket protects the electronics from any entry of insects or water.

Gasket to protect the keyboard selector.

The 4 slotted holes allow adjustment of the position even after installation



Structure completely in die-cast aluminum

Cable passage arranged both at the bottom and at the rear of the selector.

TACT RADIO

Digital keyboard selector, radio version



Protection:

Electronics protected by a preassembled gasket on a dedicated housing.

Comfort:

Keys with backlit numbers clearly visible in the dark.

Design:

New attractive design with no visible screws

Adjustment:

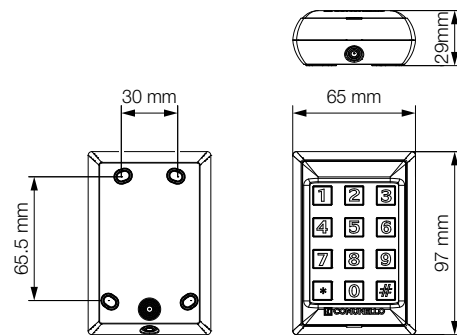
The slotted holes allow adjustment of the position even after installation

Durability:

High quality plastic material with anti-UV additives and embossed painting

Smart:

Up to 10 codes that can be memorized with the possibility of canceling and reprogramming the single code.



TACT RADIO	GTACTRADN0B00A	Digital keyboard selector, radio	24 VDC/VAC	54	1	0,15 Kg

A pre-assembled gasket protects the electronics from any entry of insects or water.

Gasket to protect the keyboard selector.

The 4 slotted holes allow adjustment of the position even after installation



Structure in unshielded plastic material with anti-UV additives

TACT CARD

Digital transponder selector in die-cast aluminum, up to 250 memorable cards / TOKENS



Protection:

Electronics protected by a preassembled gasket on a dedicated housing.

Simplicity and ease of installation:

Cable passage arranged both at the bottom and at the rear of the selector. Large space dedicated to wiring.

Design:

New attractive design with no visible screws

Adjustment:

The slotted holes allow adjustment of the position even after installation

Durability:

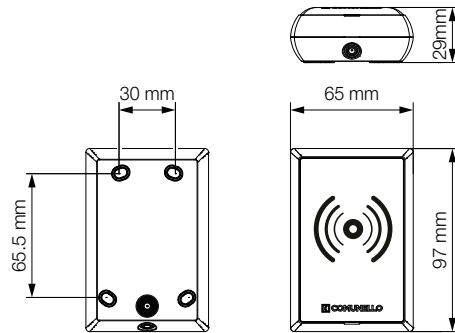
Structure completely in die-cast aluminum

Compatibility:

TACT TOKEN



TACT BADGE



TACT CARD	GTACTCARN0B00A	Digital transponder selector in aluminum (working via TACT DEC)	24 VDC/VAC	54	1	0,27 Kg

A pre-assembled gasket protects the electronics from any entry of insects or water.



Large space dedicated to wiring

Structure completely in die-cast aluminum



The 4 slotted holes allow adjustment of the position even after installation



Cable passage arranged both at the bottom and at the rear of the selector.

2 channels decoder for TACT / TACT-CARD



Protection:

Electronics protected by a preassembled gasket on a dedicated housing.

Simplicity and ease of installation:

Cable passage arranged both at the bottom and at the rear of the keyboard. Large space dedicated to wiring.

Design:

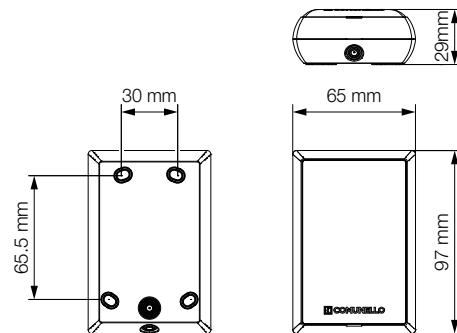
New attractive design with no visible screws

Adjustment:

The slotted holes allow adjustment of the position even after installation

Durability:

Structure completely in die-cast aluminum



TACT DEC	GTACTDECN0B00A	Decoder for TACT / TACT-CARD	24 VDC/VAC	54	1	0,27 Kg

A pre-assembled gasket protects the electronics from any entry of insects or water.



Large space dedicated to wiring

Structure completely in die-cast aluminum



The 4 slotted holes allow adjustment of the position even after installation



Cable passage arranged both at the bottom and at the rear of the decoder.

INDEX

Key selector



Protection:

Electronics protected by a preassembled gasket on a dedicated housing.

Simplicity and ease of installation:

Cable passage arranged both at the bottom and at the rear of the selector. Large space dedicated to wiring.

Design:

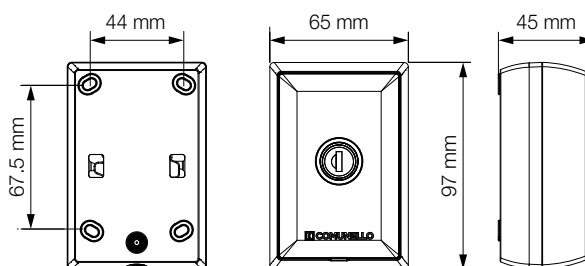
New attractive design with no visible screws

Adjustment:

The slotted holes allow adjustment of the position even after installation

Strength:

Structure completely in die-cast aluminum



INDEX	0101		IP		Kg
INDEX	GINDEXSTN0B00A	Key selector with standard cylinder	54	1	0,28 Kg

A pre-assembled gasket protects the electronics from any entry of insects or water.

Structure completely in die-cast aluminum

The 4 slotted holes allow adjustment of the position even after installation



Large space dedicated to wiring

Cable passage arranged both at the bottom and at the rear of the selector.

Key selector with European cylinder



Protection:

Electronics protected by a preassembled gasket on a dedicated housing.

Simplicity and ease of installation:

Cable passage arranged both at the bottom and at the rear of the keyboard. Large space dedicated to wiring.

Design:

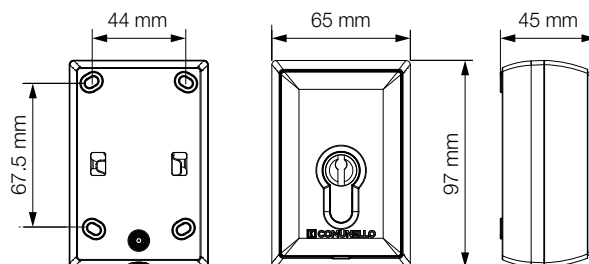
New attractive design with no visible screws

Adjustment:

The slotted holes allow adjustment of the position

Strength:

Structure completely in die-cast aluminum



			IP		
INDEX EU	GINDEXEUN0B00A	Key selector with European cylinder	54	1	0,36 Kg

A pre-assembled gasket protects the electronics from any entry of insects or water.

Structure completely in die-cast aluminum

The 4 slotted holes allow adjustment of the position even after installation



Large space dedicated to wiring

Cable passage arranged both at the bottom and at the rear of the selector.

INDEX INSERT

Recessed wall key selector



Protection:

Electronics protected by a preassembled gasket on a dedicated housing.

Simplicity and ease of installation:

Cable passage arranged both at the bottom and at the rear of the selector. Large space dedicated to wiring.

Design:

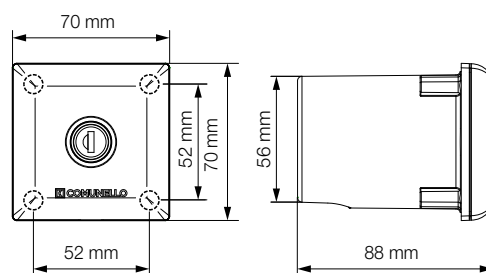
New attractive design with no visible screws

Adjustment:

The slotted holes allow adjustment of the position

Strength:

Structure completely in die-cast aluminum



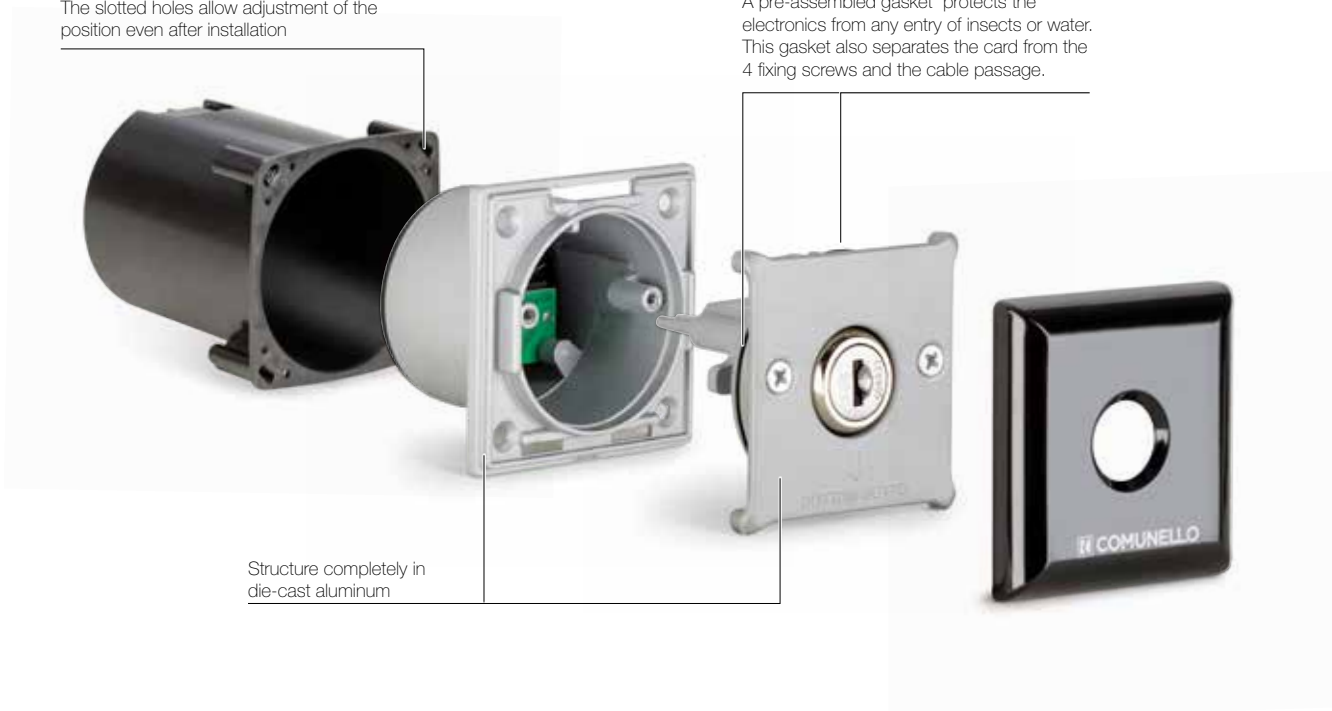
INDEX INSERT	GINSEXSTN0B00	Recessed wall key selector, adapter bowl included	IP 54	1	0,33 Kg
--------------	---------------	---	-------	---	---------

G-BOX	GBOXUNSTD0B00	Adapter bowl INDEX INSERT	20	0,025 kg
-------	---------------	---------------------------	----	----------

The slotted holes allow adjustment of the position even after installation

A pre-assembled gasket protects the electronics from any entry of insects or water. This gasket also separates the card from the 4 fixing screws and the cable passage.

Structure completely in die-cast aluminum



INDEX INSERT EURO

Recessed wall key selector with European cylinder



Protection:

Electronics protected by a preassembled gasket on a dedicated housing.

Simplicity and ease of installation:

Cable passage arranged both at the bottom and at the rear of the selector. Large space dedicated to wiring.

Design:

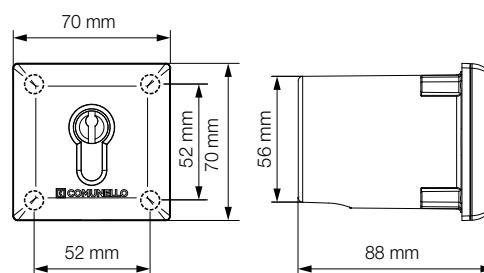
New attractive design with no visible screws

Adjustment:

The slotted holes allow adjustment of the position

Strength:

Structure completely in die-cast aluminum



◆	0101	☰	IP	📦	⚖️
INDEX INSERT EU	GINSEXEUN0B00	Recessed wall key selector with European cylinder adapter bowl included	IP 54	1	0,45 Kg

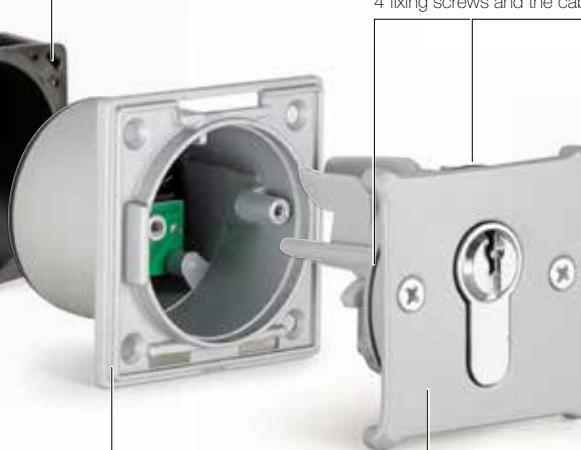
◆	0101	☰	📦	⚖️	
	G-BOX	GBOXUNSTD0B00	Adapter bowl INDEX INSERT	20	0,025 kg

The slotted holes allow adjustment of the position even after installation



Structure completely in die-cast aluminum

A pre-assembled gasket protects the electronics from any entry of insects or water. This gasket also separates the card from the 4 fixing screws and the cable passage.



Complementary accessories



TACT BADGE

Compatible with: TACT CARD

				
TACT-BADGE	GTACTCRDN0B00	BADGE for TACT CARD	10	0,06 Kg



TACT TOKEN

Compatible with: TACT CARD

				
TACT-TOKEN	GTACTTKNN0B00	TOKEN for TACT CARD	10	0,06 Kg



 **COMUNELLO**

OFFICIAL DEALER:

 **COMUNELLO**
AUTOMATION

AUTOMATION FOR GATES, DOORS AND BARRIERS

FRATELLI COMUNELLO S.P.A.

HEADQUARTERS

Via Zarpellon, 33

36027 San Giuseppe di Cassola, Vicenza, Italy

Tel. +39 0424 585111 Fax +39 0424 533417

info@comunello.it www.comunello.com

REGISTERED OFFICE

Via Cassola,64 - C.P.79

36027 Rosà, Vicenza, Italy

Tel. +39 0424 585111 Fax +39 0424 533417

info@comunello.it www.comunello.com