

# DART

ACTUATOR FOR  
SLIDING GATES  
VERSIONS 230V AND 24V

Life  
made  
easy



# NEW **DART**

---

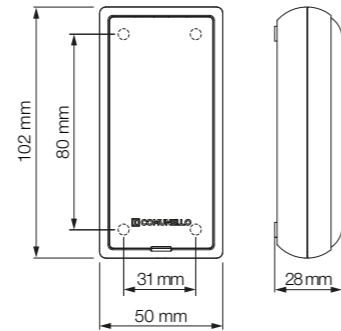
Protection  
Design  
Adjustment  
Simplicity  
Reliability  
Duration  
Range  
Technology



# DART

## New generation outdoor photocells

- Protection:** Electronics protected by a preassembled gasket on a dedicated housing.
- Simplicity and ease of installation:** Cable passage arranged both at the bottom and at the rear of the photocell. Large space dedicated to wiring.
- Design:** New attractive design with no visible screws
- Adjustment:** The slotted holes allow adjustment of the position even after installation
- Duration:** High quality plastic material with anti-UV additives and embossed painting
- Sync Version:** The DART SYNC version allows automatic synchronization between transmitter and receiver to avoid interference in systems with multiple pairs of photocells.



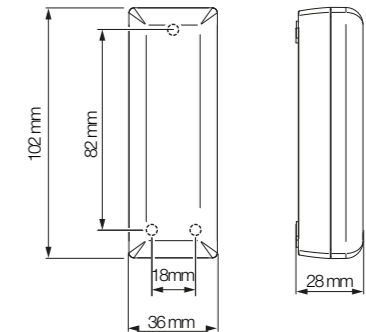
Icon	Code	Description	Voltage	IP	Range	Kit	Weight
◆	GDARTSTDN0B00A	Pair of photocells with range up to 15 m	12V / 24V	IP 54	15m	1 Kit	0,15 Kg
◆	GDARTSTDN1B00A	Pair of photocells, synchronized version with range up to 20 m	12V / 24V	IP 54	20m	1 Kit	0,15 Kg



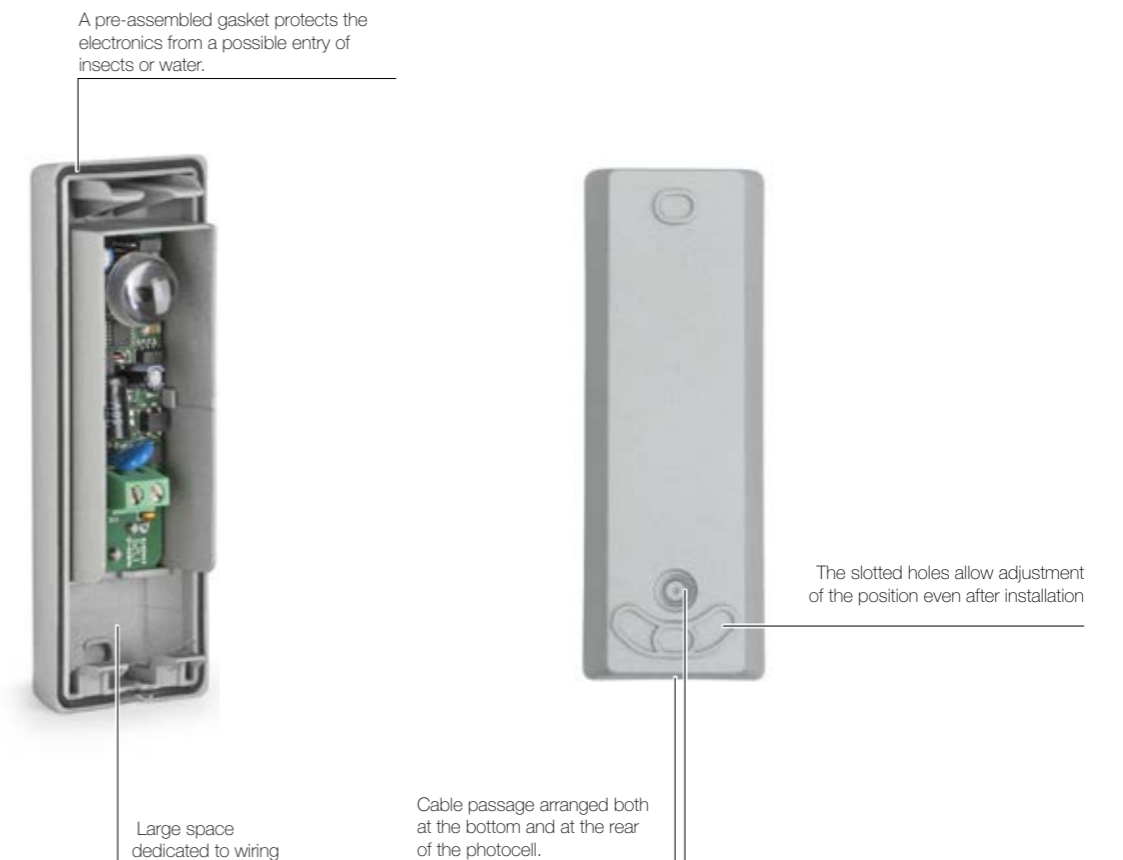
# DART SLIM

## New generation outdoor photocells, slim version

- Protection:** Electronics protected by a preassembled gasket on a dedicated housing.
- Simplicity and ease of installation:** Cable passage arranged both at the bottom and at the rear of the photocell. Large space dedicated to wiring.
- Design:** New attractive design with no visible screws
- Adjustment:** The slotted holes allow adjustment of the position even after installation
- Duration:** High quality plastic material with anti-UV additives and embossed painting
- Sync Version:** The DART SYNC version allows automatic synchronization between transmitter and receiver to avoid interference in systems with multiple pairs of photocells.



Icon	Code	Description	Voltage	IP	Range	Kit	Weight
◆	GDARTSLMN0B00A	Pair of photocells, slim version, with a range of up to 15 m	12V / 24V	IP 54	15m	1 Kit	0,12 Kg
◆	GDARTSLMN1B00A	Pair of slim photocells, slim and synchronized version, with range up to 20 m	12V / 24V	IP 54	20m	1 Kit	0,12 Kg



# DART ADJUSTABLE

New generation outdoor adjustable photocells, painted finish

- Protection:**  
Electronics protected by a preassembled gasket on a dedicated housing.
- Simplicity and ease of installation:**  
Cable passage arranged both at the bottom and at the rear of the photocell. Large space dedicated to wiring.
- Design:**  
New attractive design with no visible screws
- Adjustment:**  
Transmitter and receiver can rotate 180° on the vertical axis and 40° on the horizontal axis. The slotted holes allow adjustment of the position even after installation
- Duration:**  
High quality plastic material with anti-UV additives and embossed painting
- Sync Version:**  
The DART SYNC version allows automatic synchronization between transmitter and receiver to avoid interference in systems with multiple pairs of photocells.



◀	0101	☰	↺	IP	Range	📦	⚖️
<b>DART ADJUSTABLE</b>	GDARTADJN0B00A	Pair of adjustable photocells with range up to 15 m	12V / 24V	IP 54	15m	1 Kit	0,25 Kg
<b>DART ADJUSTABLE SYNC</b>	GDARTADJN1B00A	Pair of adjustable photocells, synchronized version with range up to 20 m	12V / 24V	IP 54	20m	1 Kit	0,25 Kg

A pre-assembled gasket protects the electronics from any entry of insects or water.

The 4 slotted holes allow adjustment of the position even after installation

Large space dedicated to wiring



Transmitter and receiver can rotate 180° on the vertical axis and 40° on the horizontal axis

Cable passage arranged both at the bottom and at the rear of the photocell.



# DART ADJUSTABLE BATTERY

New generation outdoor battery-powered adjustable photocells, painted finish

- Protection:**  
Electronics protected by a preassembled gasket on a dedicated housing.
- Simplicity and ease of installation:**  
Cable passage arranged both at the bottom and at the rear of the photocell. Large space dedicated to wiring.
- Design:**  
New attractive design with no visible screws
- Adjustment:**  
Transmitter and receiver can rotate 180° on the vertical axis and 20° on the horizontal axis. The slotted holes allow adjustment of the position even after installation
- Duration:**  
High quality plastic material with anti-UV additives and embossed painting



◀	0101	☰	↺	IP	Range	📦	⚖️
<b>DART BATTERY</b>	GDARTBTTN0B00A	Pair of battery-operated adjustable photocells with capacity up to 18 m	12V / 24V	IP 54	18m	1 Kit	0,30 kg

A pre-assembled gasket protects the electronics from any entry of insects or water.

The 4 slotted holes allow adjustment of the position even after installation

Large space dedicated to wiring

Transmitter and receiver can rotate 180° on the vertical axis and 40° on the horizontal axis



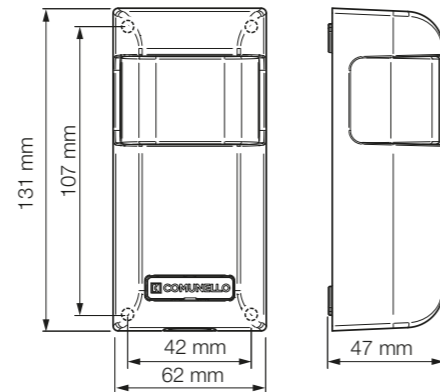
Cable passage arranged both at the bottom and at the rear of the photocell.



# DART INDUSTRIAL

Adjustable photocells for industrial gates with a range of up to 30 m

- Protection:** Electronics protected by a preassembled gasket on a dedicated housing.
- Simplicity and ease of installation:** Cable passage arranged both at the bottom and at the rear of the photocell. Large space dedicated to wiring.
- Design:** New attractive design with no visible screws
- Adjustment:** Transmitter and receiver can rotate 180° on the vertical axis and 20° on the horizontal axis  
The slotted holes allow adjustment of the position even after installation
- Anti-vandalism:** The structure of the photocell completely in die-cast aluminum guarantees high strength and resistance.



Icon	Model	Description	Voltage	IP	Range	Kit	Weight
◀	GDARTINDN0B00	Pair of adjustable photocells with range up to 30 m	12V / 24V	IP 55	30m	1 Kit	0,60 kg

A pre-assembled gasket protects the electronics from any entry of insects or water.

Structure completely in die-cast aluminum

The 4 slotted holes allow adjustment of the position even after installation

Large space dedicated to wiring

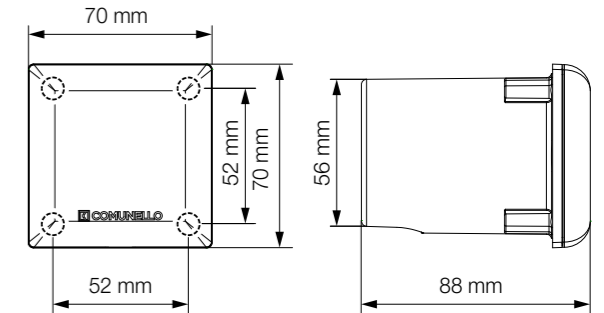
Transmitter and receiver can rotate 180° on the vertical axis and 20° on the horizontal axis

Cable passage arranged both at the bottom and at the rear of the photocell.

# DART INSERT

New generation recessed wall photocells

- Protection:** Electronics protected by a preassembled gasket on a dedicated housing.
- Simplicity and ease of installation:** Cable passage arranged both at the bottom and at the rear of the photocell. Large space dedicated to wiring.
- Design:** New attractive design with no visible screws
- Adjustment:** The slotted holes allow adjustment of the position even after installation
- Duration:** High quality plastic material with anti-UV additives and embossed painting



Icon	Model	Description	Voltage	IP	Range	Kit	Weight
◀	GDARTINSN0B00	Pair of recessed wall photocells, adapter bowl included	12V / 24V	IP 54	15m	1 Kit	0,20 kg

Icon	Model	Description	Quantity	Weight
▶	GBOXUNSTD0B00	Adapter bowl DART INSERT	20	0,025 kg

Slotted pre-holes allow adjustment of the position even after installation

A pre-assembled gasket protects the electronics from any entry of insects or water. This gasket also separates the card from the 4 fixing screws and the cable passage.

Large space dedicated to wiring

# DART COVER



## DART COVER

Vandalism protection in die-cast aluminum for:

- DART
- DART SYNC

<b>COVER VANDAL PROOF</b>	GCVRDTSTD0S00	Anti-vandalism DART photocell covers	1 Kit	0,15 Kg



## DART COVER SLIM

Vandalism protection in die-cast aluminum for:

- DART SLIM
- DART SLIM SYNC

<b>COVER VANDAL PROOF SLIM</b>	GCVRDSSTD0S00	Anti-vandalism DART SLIM photocell covers	1 Kit	0,15 Kg

# COLUMNS

Compatible with: DART, DART SYNC, TACT, TACT RADIO, TACT CARD, INDEX, INDEX EU

Compatible with DART SLIM, DART SLIM SYNC



MAST 50

MAST 100

MAST TWIN

MAST 50  
SLIM

MAST 100  
SLIM

<b>MAST 50</b>	GMAST005NOG00A
<b>MAST 100</b>	GMAST010NOG00A
<b>MAST 100 TWIN</b>	GMASTT10NOG00A

<b>MAST SLIM 50</b>	GMASTS05NOG00A
<b>MAST SLIM 100</b>	GMASTS10NOG00A



# COMUNELLO

## AUTOMATION

AUTOMATION FOR GATES, DOORS AND BARRIERS

FRATELLI COMUNELLO S.P.A.

**HEADQUARTERS**

Via Zarpellon, 33

36027 San Giuseppe di Cassola, Vicenza, Italy

Tel. +39 0424 585111 Fax +39 0424 533417

info@comunello.it www.comunello.com

**REGISTERED OFFICE**

Via Cassola,64 - C.P.79

36027 Rosà, Vicenza, Italy

Tel. +39 0424 585111 Fax +39 0424 533417

info@comunello.it www.comunello.com

OFFICIAL DEALER: